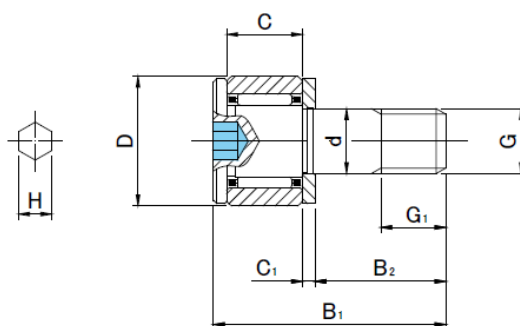


Datasheet

Stock No: 2346913

RS PRO Miniature Thrust Cam Follower, Cylindrical Outer, Stainless Steel



Miniature Thrust Cam Follower, Cylindrical Outer, Steel

Specifications:

Basic dimensions

Outer diameter [D]	8 mm
Outer width [C]	5 mm
Stud diameter [d]	4 mm
Thread size [G]	M4 X 0.7
Overall length [B1]	15 mm

Physical properties

Load rating dynamic [Cr]	1080 n
Load rating static [C0r]	1080 n

Other data

Weight	0.0040 kg
--------	-----------