



Datasheet

RS PRO Hermetically Sealed Enclosures

Stock number: 2069088

EN

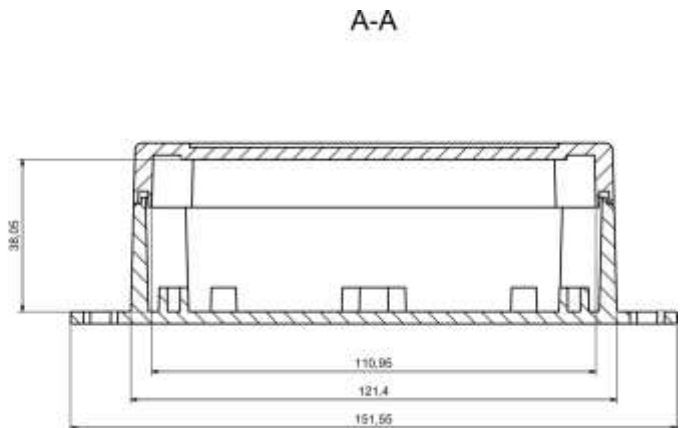
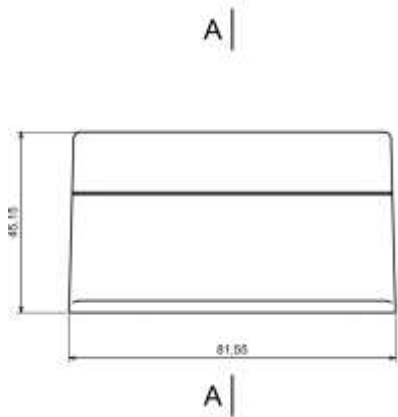


Product Details

Hermetic enclosure ideal for applications requiring protection against water ingress. Supplied with silicon gasket that provides IP65 rating. Lid manufactured with recess for membrane keypads and overlays. Threaded brass inserts ensures reliable assembly of the enclosure. It can be mounted on walls and other surfaces using mounting ears.

Features and Benefits

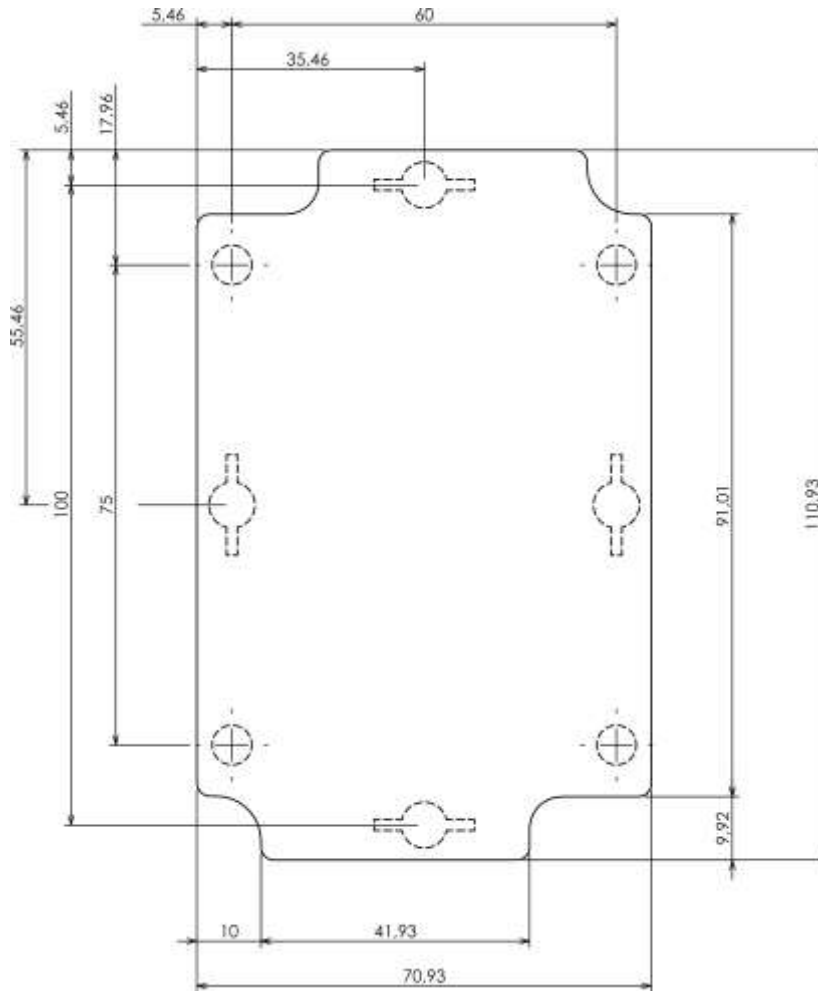
- Made of PC
- Available in light gray color
- Protection against liquids and solid objects: IP65 rating
- Supplied with silicon gasket and four screws
- Lid with recess for keypads and overlays
- Threaded brass inserts for reliable assembly.



Category	Enclosures For Wall Mounting
Type	Full with lug (U)
Material	PC
Variant	Hermetic with brass bushing (H TM)
Height	45.2 mm
Width	81.6 mm
Length	121.4 mm
Color	Lightgray (J), Transparent (p)
Protection level	IP65
Standards Met	RoHS Compliant
Accessories	Bolt M3/20: 4.0 pcs
Certificate number	



Max PCB size



Dashed line shows outline of the mounting boss under PCB board
Recommended mounting holes diameter $\varnothing 4\text{mm}$