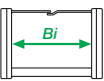






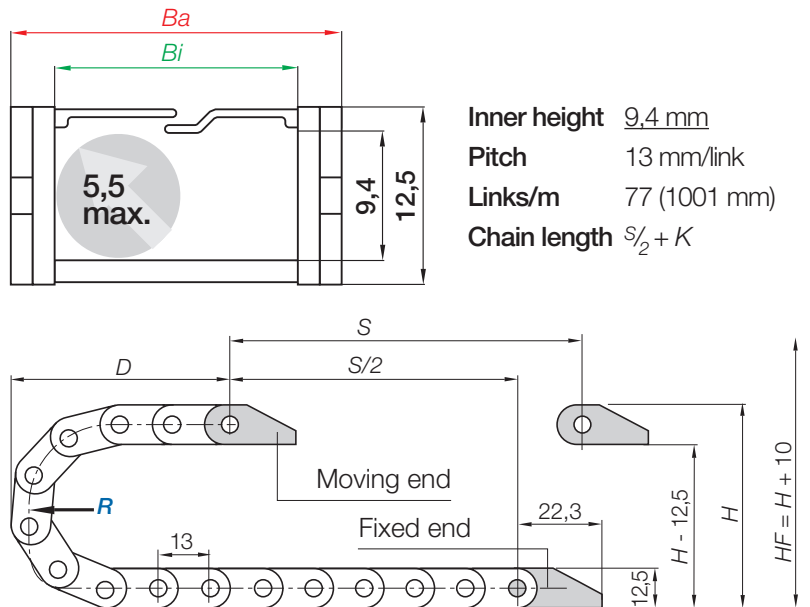
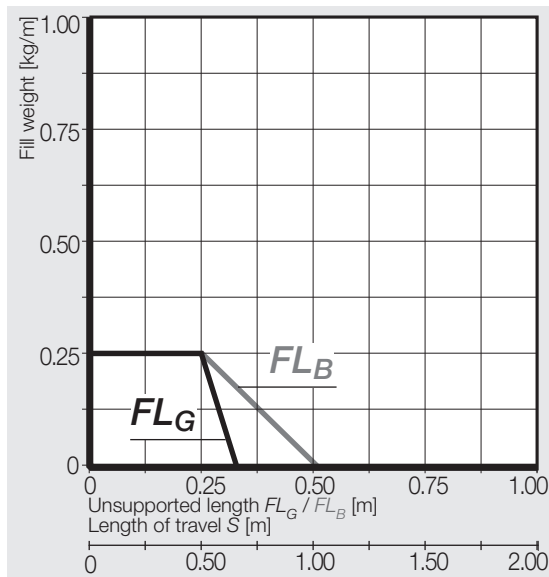
Series E045 | Split crossbar along the outer radius | 1 / 2 / 3-chamber system
Series Z045 | Split crossbar along the inner radius | 1 / 2-chamber system

Chamber system	Split crossbar along outer radius	Split crossbar along inner radius	Bi [mm]	Ba [mm]	R Bending radii [mm]	Weight [kg/m]
1-chamber 	E045.10.R.0 ¹⁾	Z045.10.R.0 ¹⁾ *	10	16	018 028 038	≈ 0,09
	E045.16.R.0	Z045.16.R.0	16	23	018 028 038	≈ 0,11
1) Crossbars do not overlap. Gap = 2 mm *Width available upon request, please consult igus® for delivery time						
2-chamber 	E045.2/7.R.0 ²⁾	Z045.2/7.R.0 ²⁾	7 / 7	23	018 028 038	≈ 0,13
	E045.2/9.R.0 ²⁾	Z045.2/9.R.0 ²⁾ *	9 / 9	27	018 028 038	≈ 0,14
2) Crossbars do not overlap. Gap = 2,25 mm *Width available upon request, please consult igus® for delivery time						
3-chamber 	E045.3/9.R.0 ³⁾	Z045.3/9.R.0 ³⁾ *	9 / 9 / 9	37	018 028 038	≈ 0,17
3) Crossbars do not overlap. Gap = 2,25 mm *Width available upon request, please consult igus® for delivery time						

Supplement Part No. with required radius (R). Example: E045.16.038.0

Ba: pin dimension approx. 0,1 - 0,3 mm wider.

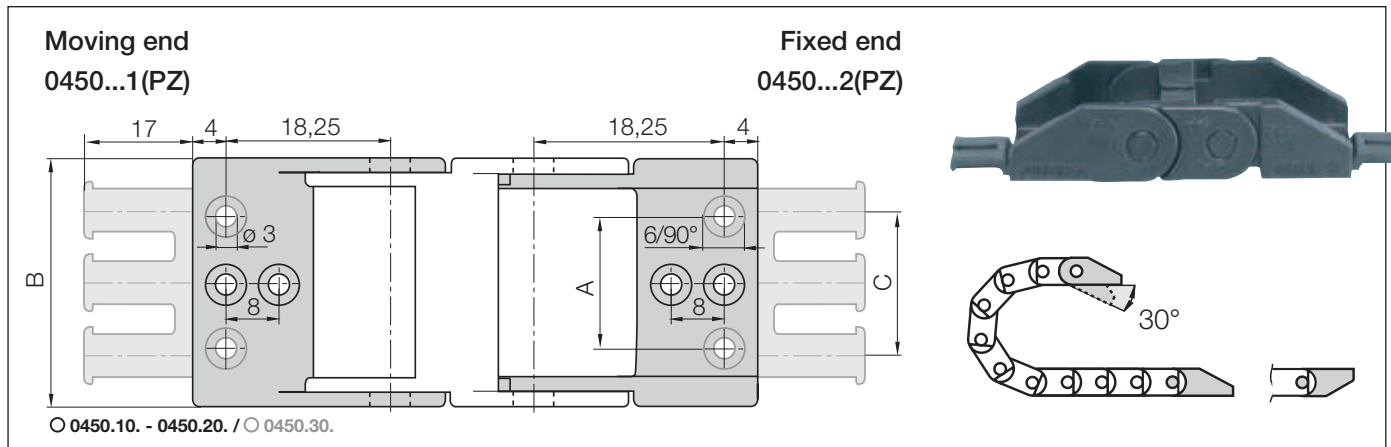
Dimensions



R	018	028	038
H	48,5	68,5	88,5
D	44	54	64
K	85	115	150

The required clearance height: $H_F = H + 10$ mm (with 0,1 kg/m fill weight)

Mounting brackets, polymer one-piece | one side pivoting



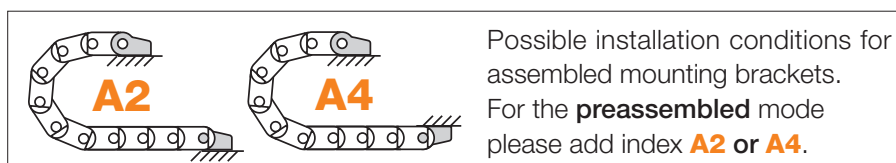
Width Index	Standard	Part No. full set with tie-wrap plates	Part No. full set without tie-wrap plates	Dim. A [mm]	Dim. B [mm]	Dim. C [mm]	Number of teeth
.10.	▶	0450.10.12PZ	0450.10.12	–	16	–	1
.16.	▶	0450.16.12PZ	0450.16.12	–	22	10	2
.2/7.	▶	0450.16.12PZ	0450.16.12	–	22	10	2
.2/9.	▶	0450.20.12PZ	0450.20.12	–	26	10	2
.3/7.	▶	0450.30.12PZ	0450.30.12	22	36	20	3

Material mounting bracket - igumid G, temperature: -40° up to +120° C, VDE 0304 IIC UL94-HB



Mounting bracket with strain relief tie-wrap plate has reductions of $\varnothing 3$ mm / $\varnothing 6$ mm, 90°.

Mounting bracket without strain relief tie-wrap plate only has holes of $\varnothing 3$ mm.

○ Drilling pattern for width index: **0450.10 - 0450.20.** center bores only / ○ **0450.30.** outer bores only (see figure above)



Part No. structure

0450.10. 12 PZ A2	A...must be indicated on preassembled configurations
	With strain relief tie-wrap plates
Full set	
	Mounting bracket for selected width index