



# Datasheet

## RS PRO 2m D9 Way M to D9 Way Female Straight Through Cable

Stock number: 182-8782

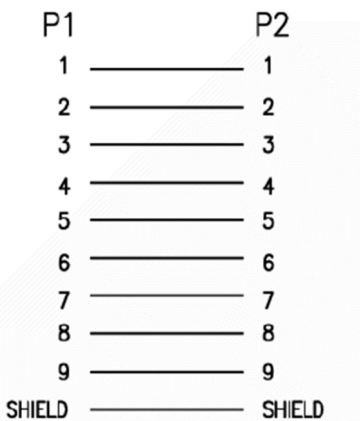
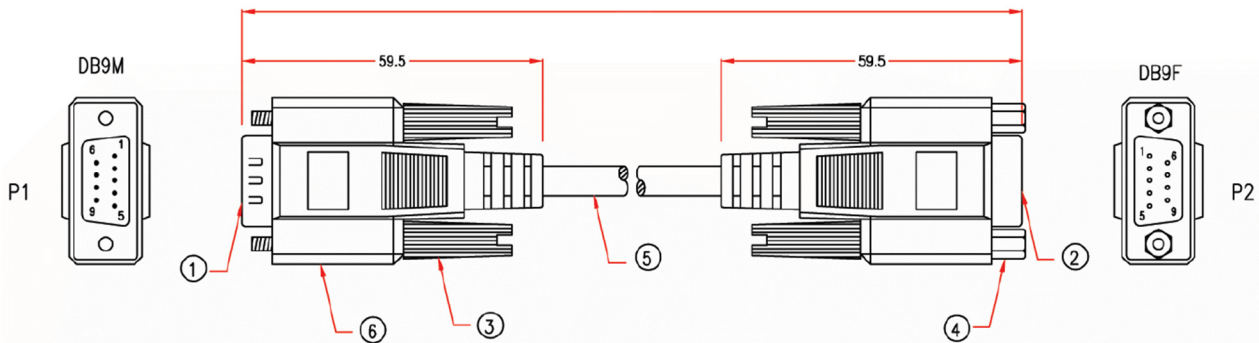
EN

Our RS PRO 2m D9 male to D9 female is wire pin to pin has a grey PVC cable flex.

The connector hoods are made from grey PVC and have a strain relief on the end of the hood to support the cable and to stop the cable from splitting around the hood. The female connector also has hex nuts to secure the cable when connected.

The cable flex has an outer diameter of 5mm and 28awg, the connectors have gold flash pins to help stop corrosion.

The cable can be used to extend serial cables.



6	MOLDED PVC GREY
5	9C 28AWG, ALUM-MYLAR FOIL SHIELDING WITH DRAIN WIRE, OD 5.0 JACKET GREY
4	HEX-NUT 5*6.6mm
3	MOLDED THUMBSCREW #4-40, GREY
2	DB9 FEMALE, GOLD FLASH ON CONTACTS, BLUE INSULATOR
1	DB9 MALE, GOLD FLASH ON CONTACTS, BLUE INSULATOR

RoHS / REACH / CE