

# SUBMINIATURE MICRO SWITCHES

## MV7 - SERIES

- Characteristics
- Single Pole changeover.
  - Fine Silver contacts.
  - Snap action mechanism.
  - Silver / Gold plated terminals.
  - Also available with low actuating force.
  - Conform to IEC 1058-1 standard.

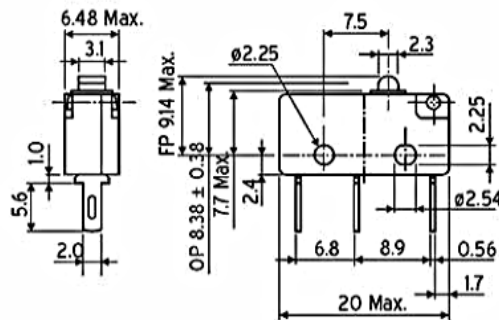


Approval



■ LCSO

Ordering code	MV7()
Actuating force	142 gms. (max.)
Release force	28 gms. (min.)
Pretravel	0.76 mm. (max.)
Overtravel	Plunger may be depressed until it is flush with the case.
Movement differential	0.10 mm. (max.)
Salient features	Plain plunger actuator and quick connect tabs.



### ELECTRICAL RATINGS

Load	Ratings
AC	5 A at 250V 2 A at 250V (for low force models.)
DC (resistive)	0.5 A at 125V or 0.25 A at 250V. 0.25A at 125V and 250V (for low force models.)
DC (inductive)	0.06 A at 110V & 0.03 A at 250V. 0.03 A at 110V and 0.02A at 250V (for low force models.)



Approval

