



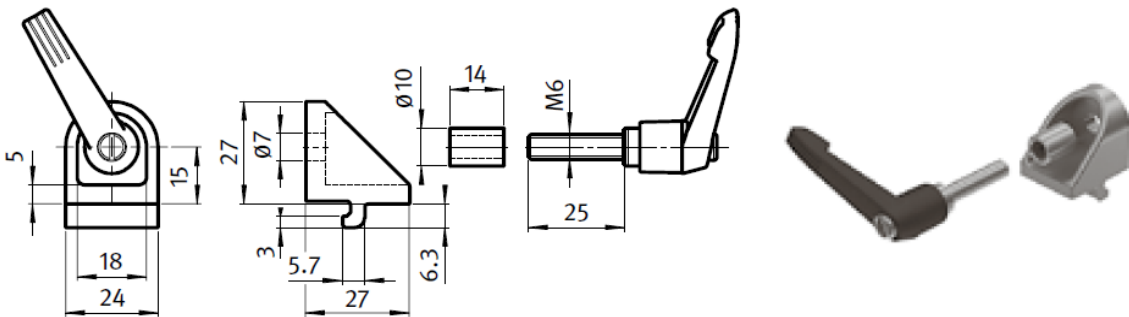
Datasheet

RS PRO Pivot Joint with locking lever

Stock number: 180-9133

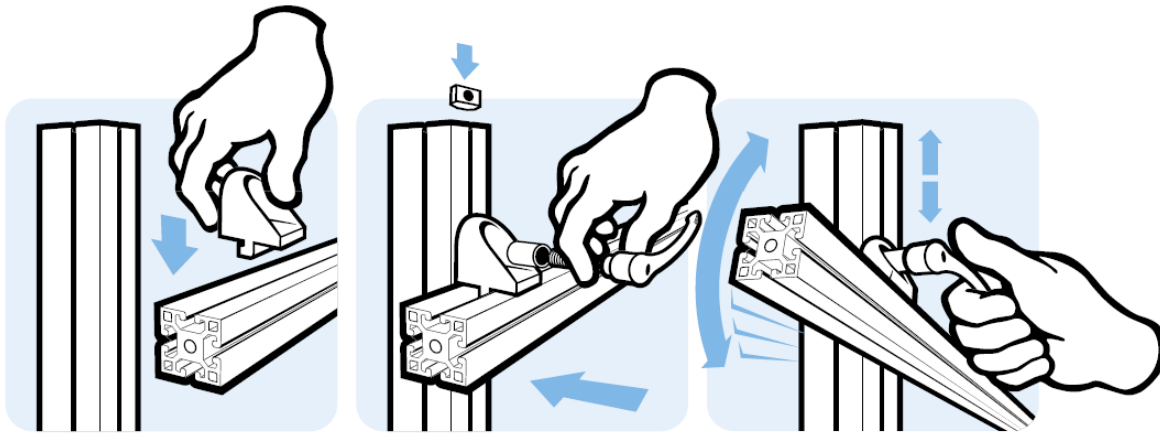
EN

Description	To connect aluminium profiles easily and with flexibility, for Slot 6
Material	Bracket: Zinc die-cast Locking lever: Plastic PA, glass fibre reinforced Mechanic: Blue-galvanised steel [RoHS conform]
Fastening	Using M6 screw



RS Article no.	Product description	N	Weight [g]
1809133	Angle clamp 30 with locking lever	6	64.0





RS Article no.	Product description	Compatible with groove size	Product system	Structural element type
1809133	Angle clamp 30 with locking lever	6	30	Connecting Bracket & Joint