

Datasheet

Stock No: 121-7797, 121-7798, 121-7799, 121-7800, 121-7801

RS Pro 4PCO Miniature Power Relay

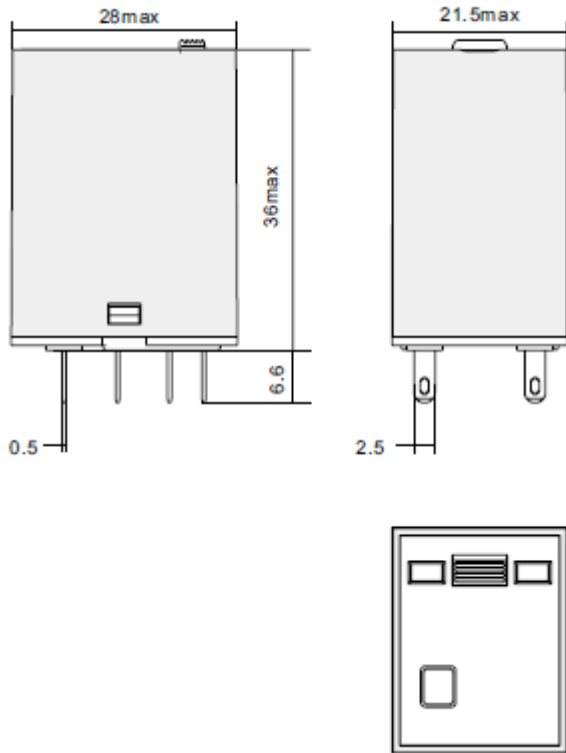


Specifications:

- 4 Pole 6A Industrial Plug-in Relay
- Gold plated contact
- Double side LED integrated in relay
- Lockable test button and inspection window
- Identification of coils through test button colour (AC red / DC blue)
- Conformity with RoHs directive

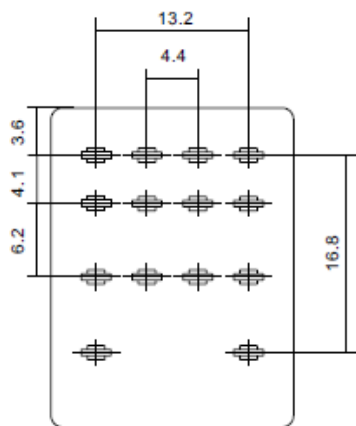
RS Stock No		121-7797	121-7798	121-7799	121-7800	121-7801
Characteristics						
Nominal Voltage		12VDC	24VDC	24VAC	110VAC	230VAC
Options		LED + Test Button + Diode	LED + Test Button + Diode	LED + Test Button	LED + Test Button	LED + Test Button
Contact	Configuration	4 Pole				
	Rated Current AC-1	6A/250VAC, 30Vdc				
	Rated Voltage AC-15	1/3HP, 240VAC, 1/6HP, 240VAC				
	Switching Capacity (resistive)	1500VA, 180W				
	Initial Contact Resistance	≤50mΩ				
	Material	Ag alloy				
	Electrical Durability	≥10 ⁵ times (1800 Ops/h)				
	Mechanical Durability	≥10 ⁷ times (18000 Ops/h)				
Pick-up Voltage (23°C)		DC: ≤75% rated voltage, AC: ≤80% rated voltage				
Drop-out Voltage (23°C)		DC: ≥10% rated voltage, AC: ≥30% rated voltage				
Maximum Voltage (23°C)		110% rated voltage				
Insulation resistance		≥500mΩ (500VDC)				
Coil Operating Power	DC (W)	0.9				
	AC (VA)	1.2				
Operating Time (at nominal voltage)		≤20ms				
Release Time (at nominal voltage)		≤20ms				
Initial Breakdown Voltage	Between open contacts	1000VAC/1min				
	Between Poles	2000VAC/1min				
	Between contacts and coil	2000VAC/1min				
Ambient Temperature		-55~+70°C				
Humidity		35%~85%RH				
Air Pressure		86~106KPa				
Shock Resisance		10G				
Vibration Resistance		10~55Hz double-amplitude: 1.0mm				
Mounting		Plug-in				
Unit Weight		35g				

Mounting Dimensions (mm)

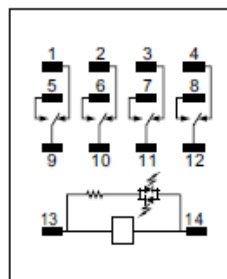


Schemes

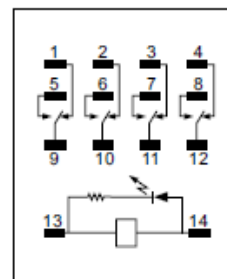
4 Pole



DC



AC



DC-D

