



ENGLISH

Datasheet

RS Article:1854668

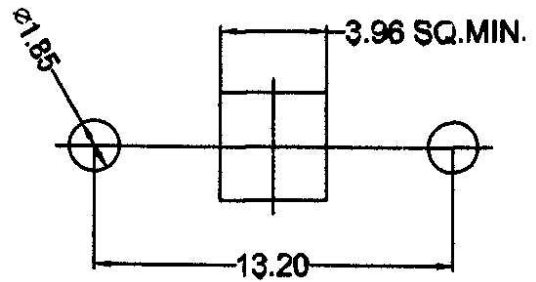
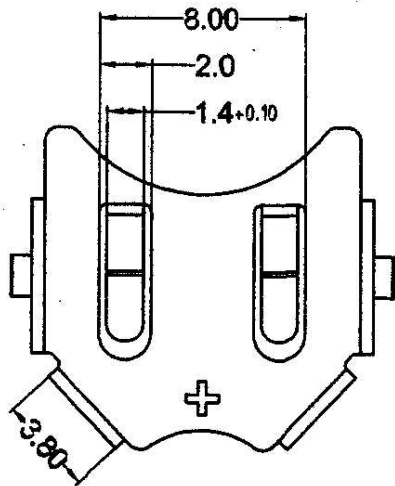
RS Pro Battery Holder



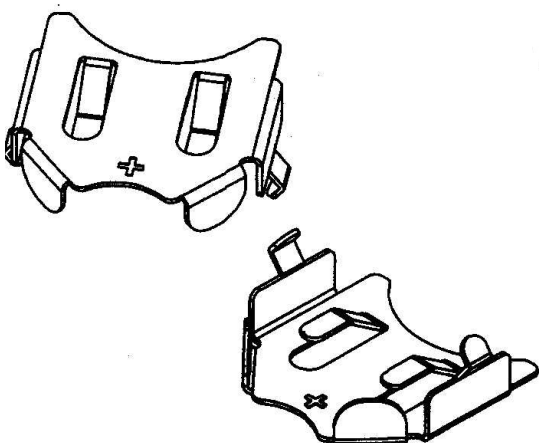
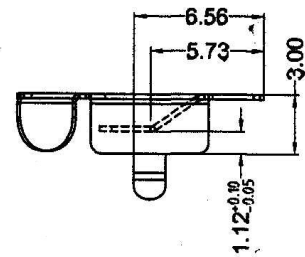
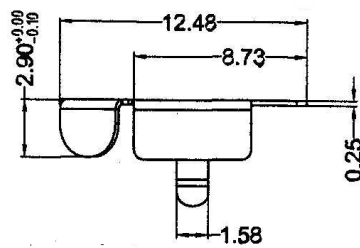
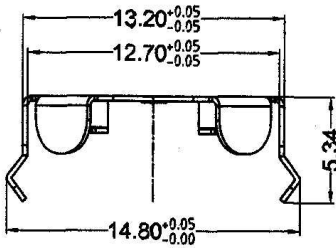
1. Preface:

The purpose of this product specification is to Dimension and drawing

Metal Coin Cell Holder CR1220 CR1216



BC-1202
PCB LAYOUT



SPECIFICATION

- (1) ITEM NO: 1854668
- (2) MATERIAL: 0.25MM PHOSPHOR BRONZE
NICKEL PLATED
- (3) USE MINIMUM BEND RADII
- (4) RoHS COMPLIANT

Measure: mm