



Datasheet

RS PRO Two-Part Enclosures

Stock number: 1920798

EN



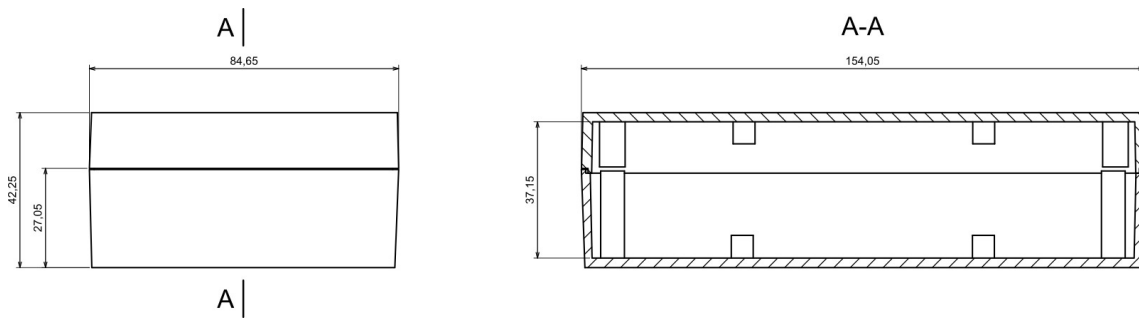
Product Details

Two-part enclosure is made of black ABS. The enclosure provides IP53 and IK06 rating it is ideal for applications that doesn't require hermetic seal.

Features and Benefits

- Made of ABS
- Available in black color
- Protection against liquids and solid objects: IP53 rating
- Shock protection level: IK06 rating
- Supplied with screws for assembly

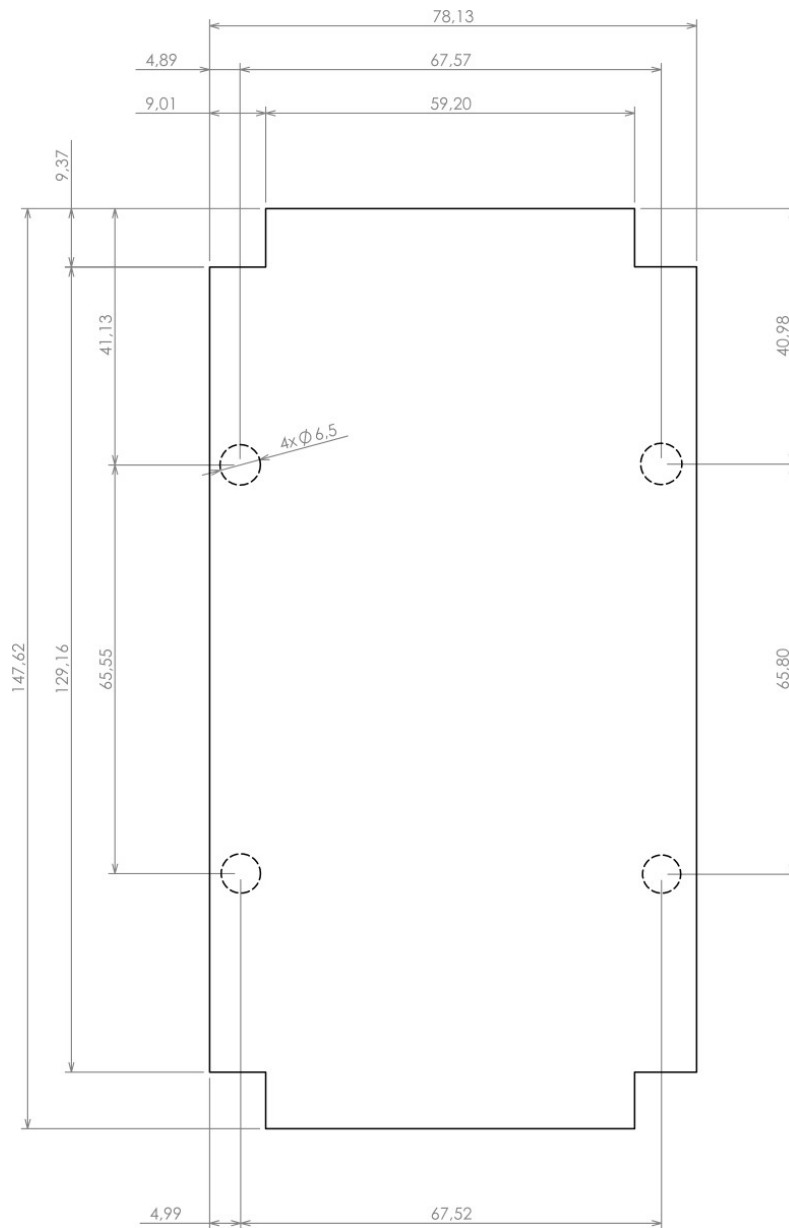
rspro.com



Category	Two-part enclosures
Type	Full
Material	ABS
Variant	Without gasket
Height	42.5 mm
Width	84.5 mm
Length	154.0 mm
Color	Black
Protection level	IP53
Shock protection level	IK06
Standards Met	RoHS Compliant
Accessories	Screw 3/30: 4.0 pcs
Certificate number	CE/031/18



Max PCB size



Dashed line shows outline of the mounting boss under PCB board
Recommended mounting holes diameter $\varnothing 3,5\text{mm}$
All dimensions are given within $\pm 0,5\text{mm}$ tolerance