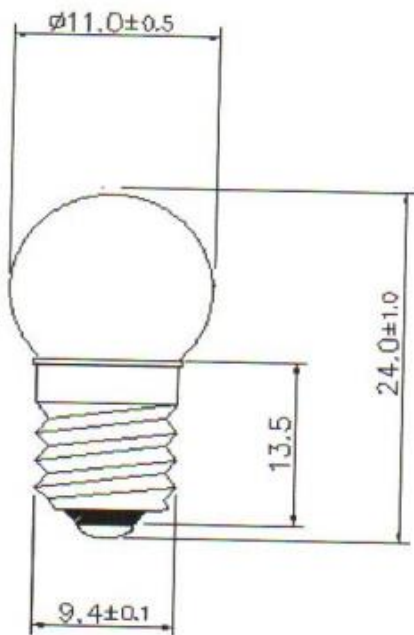


Datasheet

Clear Filament Indicator Lamp

RS Stock number [655-9508](#)

Dimensions: (mm)



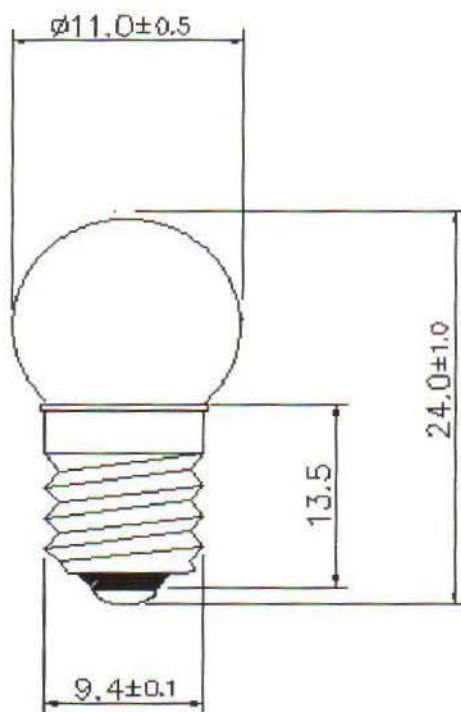
Specifications

Structure		Design Characteristics	
Bulb Type	G3 1/2 Clear	Voltage	24V
Bulb Diameter	Ø11.5max	Amperage	116mA±10%
Length	25.0Max	Filament Type	Vacuum Type
Base Type	E10	Luminous Flux	11.0Lm±20%
		Life Hours	3000hrs

RS Stock No.

6559508

DRAWING - I



Unit : mm

1. Structure	Bulb Type	G3 1/2 Clear
	Bulb Diameter	$\varnothing 11.5$ Max.
	Length	25.0Max
	Base Type	E10
2. Design Characteristics	Voltage	24V
	Amperage	116mA \pm 10%
	Filament Type	Vacuum type
	Luminous Flux	11.0Lm \pm 20%
	Life Hours	3,000Hrs