

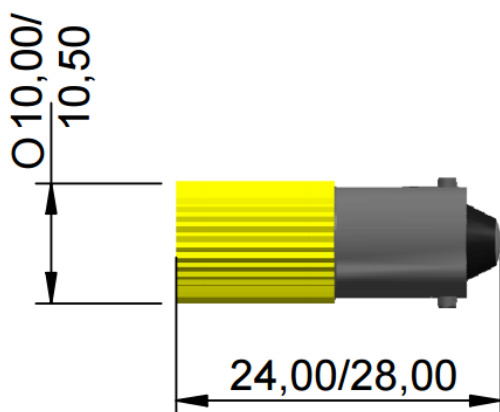


ENGLISH

Datasheet

LED Indicator Lamp

RS ITEM NO 210-894



LED/Multiled	Multiled	Optimum voltage (V)	12vdc	Intensity	30mcd
Mounting Size	10x24	Rectifier			
Mounting Finish		AC current			
Protection		DC current	9mA		
Mount Holder	Ba9s	Voltage Tolerance(%)	10%		
Chip Qty	4	Optimum temperature (°C)	-30°C...+60°C		
Indicator colour	Yellow	Storage temperature (°C)	-30°C...+60°C		
Wavelength (nm)	588	Contact Tab x 2	Ba9s Base Cap		



Dimension in mm (typical), not to scale.
We reserve the right to make changes without further notice to this product to improve reliability, function or design.