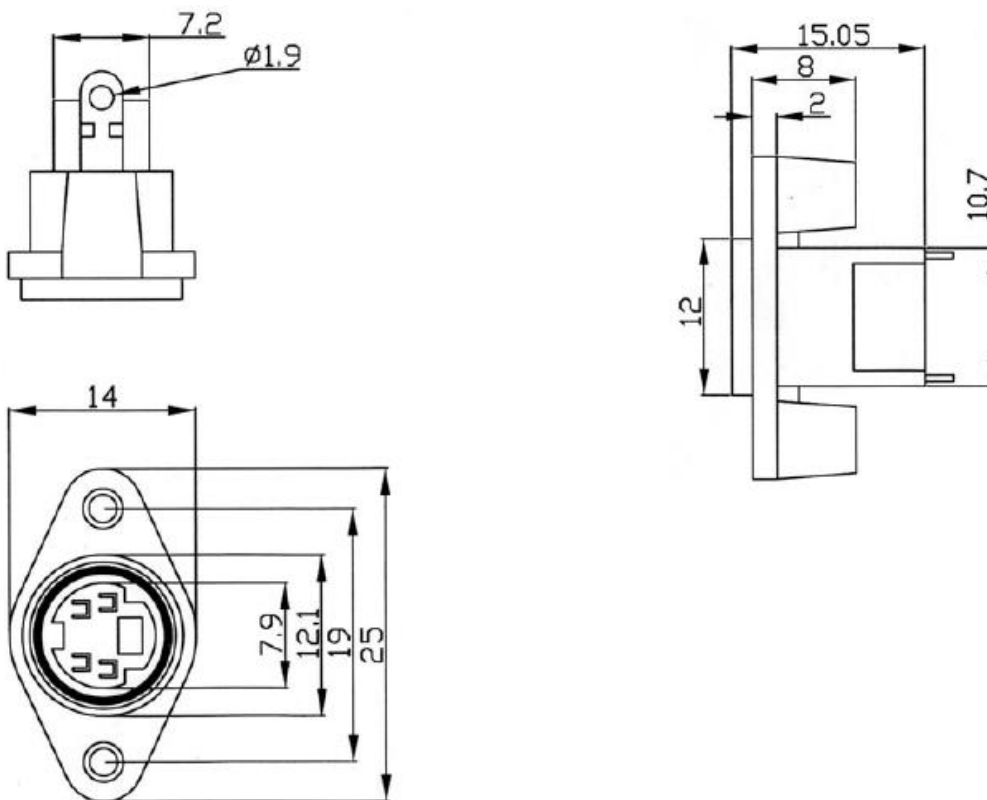


# Datasheet

## 4 Pole Female Straight Miniature DIN Connector, MDR Series , 100 V ac, 1 A

RS Stock number [183-1782](#)

Drawing (mm):



### Specifications:

Rating:	100V AC 1A
Contact resistance:	30m ohm max.
Insulator:	PBT UL94V-0
Insertion force:	4.5kg max.
Withdrawal force:	0.9kg-3kg