



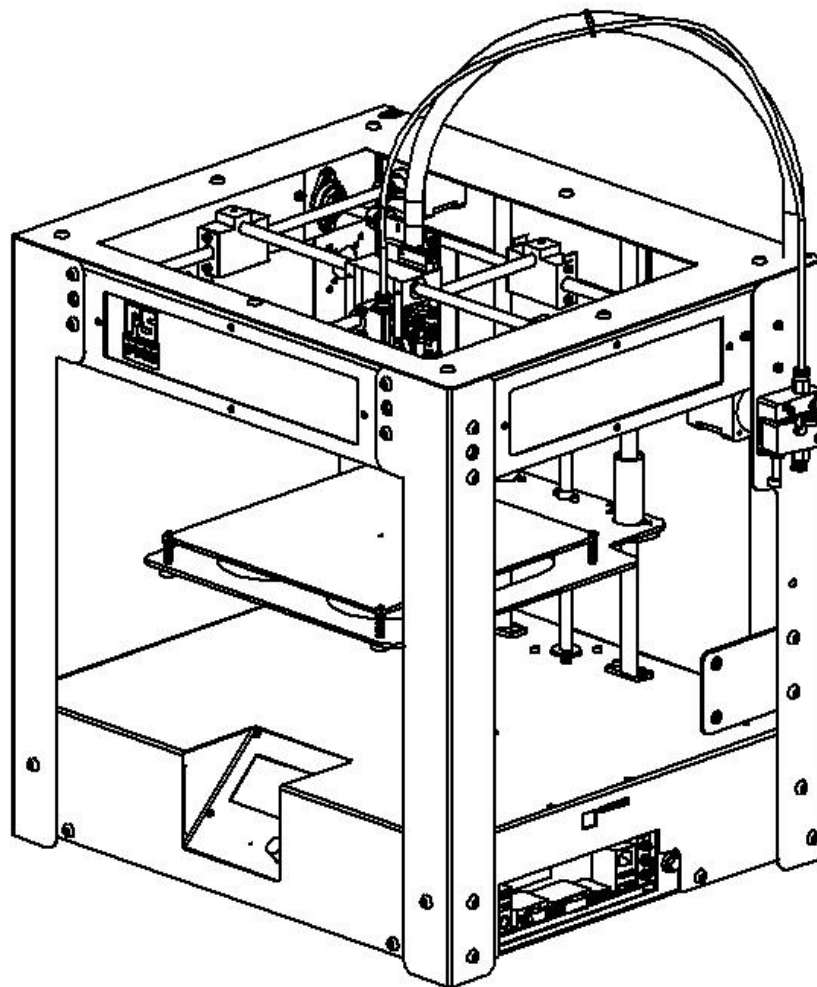
ENGLISH

Datasheet
Stock No:

173-4711

Title

RS Pro iTX 3D Printer



Sheet 1 of 3



ENGLISH

Datasheet
Stock No:

173-4711

Title

RS Pro iTX 3D Printer

Printer Properties

Technology	Fused Filament Fabrication (FFF / FDM)
Print Head Style	Metal Hot End Assembly (J Head Style)
Model Build Volume	200 x 200 x 200mm (8000cm ³)
Filament Diameter	1.75mm
Layer Resolution	80 to 800 micron (0.08 to 0.8mm)
Nozzle Size Options (Standard = 0.4mm)	0.2, 0.3, 0.4, 0.5, 0.8, 1.0mm
Nozzle Head Travel Speed	Max Recommended - 300 mm/second
Nozzle Head Temperature Range	170 - 260 Degrees Celsius
Build Plate Style	Heated Aluminium with Filament Adhesion Pad
Build Plate Temperature Range	50 - 100 Degrees Celsius
Supported Filament Types	PLA, ABS, PETG (others not listed)
Frame Construction	Textured Powder Coated Steel (1 - 3mm)

Connectivity

Stand Alone SD Card	SD Card Slot on Machine Base
On Board USB to PC Connector	USB to PC Connector on Machine Base
iTX PC Motherboard	ASRock Mini iTX Form User upgradable to m-ATX with Processor Choice on User m-ATX Motherboard
Processor Type	Std - AMD FT3 Kabini A4 Quadcore
Graphics	AMD Radion 4K - VGA - HDMI HD8330
RAM Memory	8GB Standard (32GB Maximum) DDR3 1600
Communication Ports	USB 3.0(2), Serial, D-Sub, HDMI, USB 2.0(8)
Audio System	Realtek HD
LAN	Realtek Gigabit LAN
Hard Disk Drive	500GB SATA Std User upgradable to larger HDD or SSD Type
Main Power Supply	200/240v AC 4A In - 500 Watt - 3.3, 5, 12 volts DC Out - User upgradable re User Configuration

Sheet 2 of 3



ENGLISH

Datasheet
Stock No:

173-4711

Title

RS Pro iTX 3D Printer

Physical Dimensions

Dimensions	H450 x W435 x D370mm
Dimensions With Spool Holder and Umbilical Wire Fitted	H550 x W535 x D370mm
Nett Weight	18Kg
Shipping Weight	19Kg
Shipping Box Dimensions	H580 x W500 x D440mm Double Wall Cardboard with Foam Inserts

Software

Recommended Software Package	Repetier Host
Alternative Compatible Software	Simplify3D, Cura, OctoPrint and others not listed
Onboard iTX PC Operating System	Windows 10 Home
Firmware System	Repetier Firmware (Open Source)
Firmware Uploading Software	Arduino IDE
Supported File Types	.STL, .OBJ, .GCO, .GCODE - others - see Chosen Software Specifications

Sheet 3 of 3