

FEATURES

- Single-phase moulded with screw terminals
- Power rating 72 VA
- Mounts on 35 mm DIN rail
- Fused input and output
- Primary voltage rating of 230 V ac
- Secondary voltage rating of 24 V ac
- 89.5 x 82.5 x 82 mm
- Operating frequency range of 50 Hz to 60 Hz
- One output
- Maximum temperature of +40°C

RS PRO 72VA DIN Rail Transformer, 230V ac Primary 1 x, 24V ac Secondary

RS Stock No.: 797-5942



RS Professionally Approved Products bring to you professional quality parts across all product categories. Our product range has been tested by engineers and provides a comparable quality to the leading brands without paying a premium price.

Product Description

This DIN (Deutsches Institut für Normung, the German Institute for Standardization) rail transformer from the RS PRO range can be used in the home or workplace to ensure electrical devices receive the correct voltage from the mains.

General Specifications

Number of Outputs	1
Applications	Automotive engines, Household applications, Industrial machinery, Medical equipment, Telecommunications equipment

Electrical Specifications

Power Rating	72VA
Primary Voltage Rating	230V ac
Secondary Voltage Rating	24V ac
Isolation	4kV RMS
Temperature Class	B (130°)

Input Data

Rated Input Voltage	230VAC
Switch-On Time	100%
Minimum Operating Frequency	50Hz
Maximum Operating Frequency	60Hz

Output Data

Rated Output Voltage	24V ac
Rated Power	72VA

Mechanical Specifications

Mounting Type	DIN Rail Mount
Dimensions	89.5mm x 82.5mm x 82mm
Length	89.5mm
Width	82.5mm
Depth	82mm
Weight	1.3kg

Operation Environment Specifications

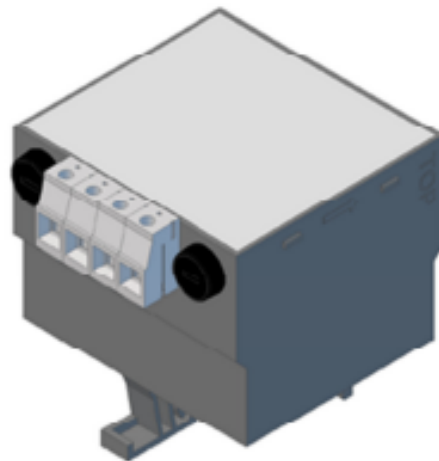
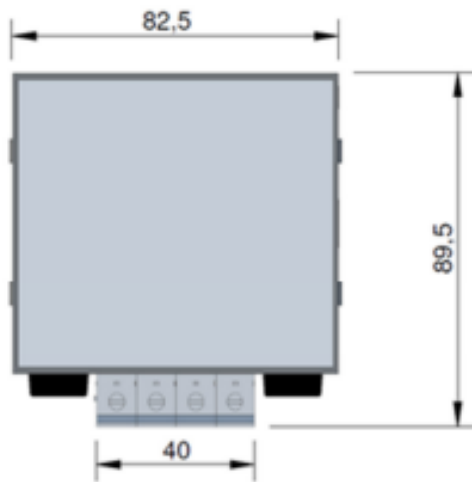
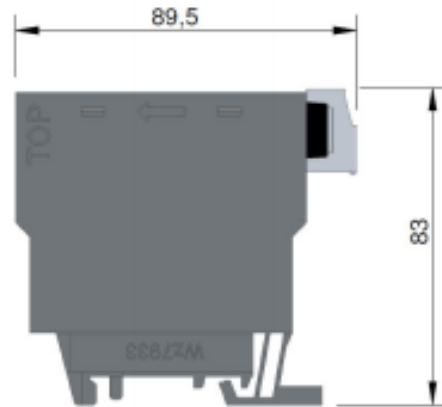
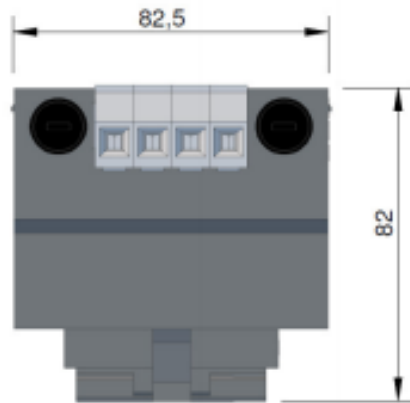
Maximum Temperature	+40°C
----------------------------	-------

Approvals

Compliance/Certifications	RoHS, CE
Standards Met	EN61558-2-6

RS Stock number	Power VA	Specification	No-load voltage	According to
7975945	72	AC/AC Isolation Transformer, 12V	13.4	EN61558-2-6
7975948	72	AC/AC Isolation Transformer, 24V	26.5	EN61558-2-6
7975942	72	AC/AC Isolation Transformer, 24V	26.5	EN61558-2-6
7975936	72	AC/AC Isolation Transformer, 24V	26.5	EN61558-2-6

Dimensions (mm):



***Note: The DIN plastic clip is not designed for multiple clip-on and clip-off purposes.**