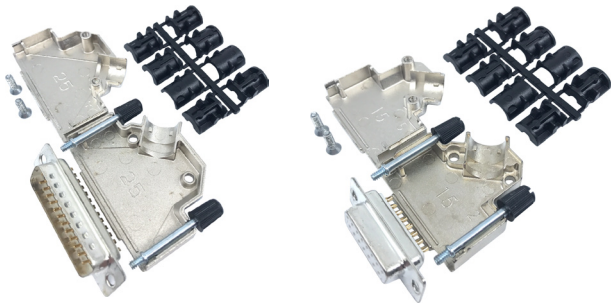


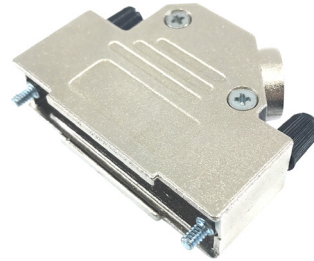
# D-Sub Connectors and Backshells - Angled

multicomp<sup>PRO</sup>

RoHS  
Compliant



D-Sub Connector with Backshell



Backshell

## Features

- Available in sizes 9, 15, 25 and 37
- Minimise interference from electromagnetic and RF sources
- Non-static parts avoid ESD problems
- Accept round foil and braided cable types
- Approved according VDE 0871, FCC 20780 and 89/336/EU
- Long Jackscrews with UNC 4-40 Thread as Standard
- No special assembly tools required

## Specifications

### Backshell

Material	: Zinc, Ni-plated
Temperature Range	: -40°C to 120°C
Cable Strain Relief	: Polycarbonate PC UL94 V0
Cable Diameter	: 3 to 13 mm <17 mm DVZK50
Locking Screws	: Long jackscrews UNC 4-40
Assembly Screws	: Taptite thread forming
Cable Outlet	: Angled
Attenuation Factor	: > 40dB between 30 MHz and 1GHz

### D-Sub Solder Connector

Insulator	: PBT, UL94 V-0
Shell	: Steel, Tin-plated
Contact Pins	: Copper alloy
Contact Plating	: Selective Gold over Nickel
Temp. Range	: -55°C to +105°C
Insulator Resistance	: 1000MΩ
Withstand Voltage	: 1kV for 1 min
Stamped Contacts	: Class 3, 100 inserts minimum

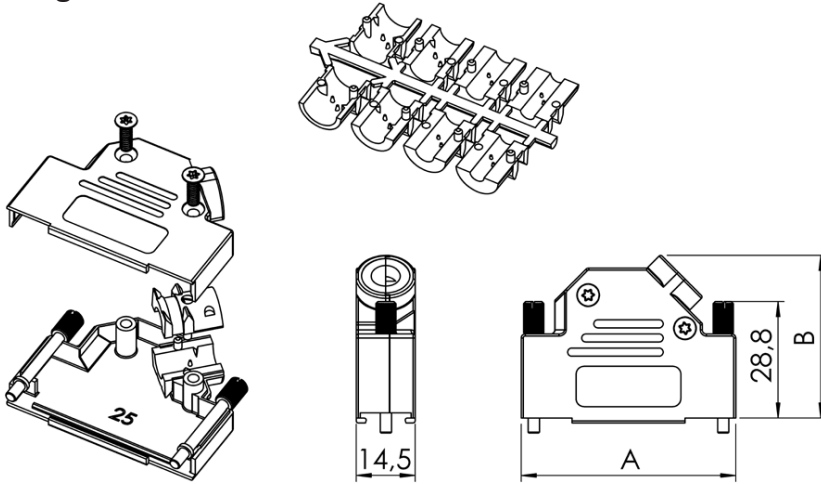
Newark.com/multicomp-pro  
Farnell.com/multicomp-pro  
Element14.com/multicomp-pro

multicomp<sup>PRO</sup>

# D-Sub Connectors and Backshells - Angled

**multicomp** PRO

## Diagram



Dimensions : Millimetres

Part Number	A	B
MP002012	31	36,2
MP002013	39,5	40,2
MP002014	53,2	40,2
MP002015	69,7	40,2

## Part Number Table

Description	Part Number
D Sub Backshell, Zinc, DE-9, 45°	MP002012
D Sub Backshell, Zinc, DA-15, 45°	MP002013
D Sub Backshell, Zinc, DB-25, 45°	MP002014
D Sub Backshell, Zinc, DC-37, 45°	MP002015
D Sub Connector with Backshell, DE-9, 45°, Female	MP002032
D Sub Connector with Backshell, DE-9, 45°, Male	MP002033
D Sub Connector with Backshell, DA-15, 45°, Female	MP002034
D Sub Connector with Backshell, DA-15, 45°, Male	MP002035
D Sub Connector with Backshell, DB-25, 45°, Female	MP002036
D Sub Connector with Backshell, DB-25, 45°, Male	MP002037
D Sub Connector with Backshell, DC-37, 45°, Female	MP002038
D Sub Connector with Backshell, DC-37, 45°, Male	MP002039

**Important Notice :** This data sheet and its contents (the "Information") belong to the members of the AVNET group of companies (the "Group") or are licensed to it. No licence is granted for the use of it other than for information purposes in connection with the products to which it relates. No licence of any intellectual property rights is granted. The Information is subject to change without notice and replaces all data sheets previously supplied. The Information supplied is believed to be accurate but the Group assumes no responsibility for its accuracy or completeness, any error in or omission from it or for any use made of it. Users of this data sheet should check for themselves the Information and the suitability of the products for their purpose and not make any assumptions based on information included or omitted. Liability for loss or damage resulting from any reliance on the Information or use of it (including liability resulting from negligence or where the Group was aware of the possibility of such loss or damage arising) is excluded. This will not operate to limit or restrict the Group's liability for death or personal injury resulting from its negligence. Multicomp Pro is the registered trademark of Premier Farnell Limited 2019.

Newark.com/multicomp-pro  
 Farnell.com/multicomp-pro  
 Element14.com/multicomp-pro

**multicomp** PRO