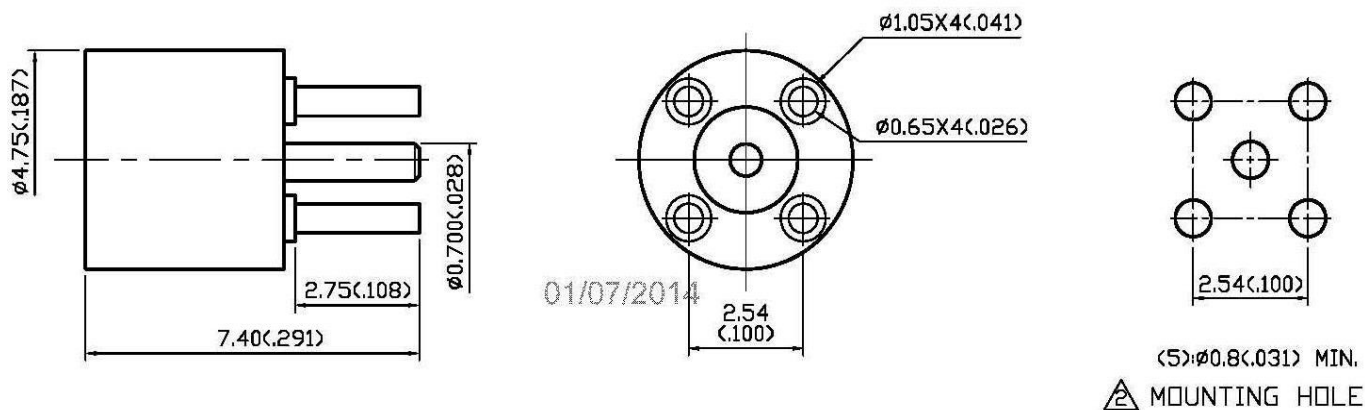


NO	DESCRIPTION	DATE
①	MODIFY DESIGN	08.25.03
②	BACKGROUND FORMAT UPDATED ADD MOUNTING HOLE	08.19.09'
③	WORKING VOLTAGE → VOLTAGE RATING DEL PROOF VOLTAGE	01.06.14'



1.0 ELECTRICAL

- 1.1 FREQUENCY RANGE: DC-18 GHz
- 1.2 NOMINAL IMPEDANCE: 50 OHMS
- 1.3 VOLTAGE RATING: 335 VOLTS MAX. ③
- 1.4 VSWR: 1.3 MAX.

2.0 MATERIALS

- 2.1 BODIES: BRASS PER JIS-C3604
- 2.2 CENTER CONTACT: BRASS PER JIS-C3604
- 2.3 INSULATION: TEFLON PER ASTM D1457 AND ASTM D1710

3.0 FINISHES AND OTHERS

- 3.1 SEE BELOW TABLE FOR DETAILS.

4.0 MECHANICAL

- 4.1 INTERFACE IN ACCORDANCE WITH: MIL-STD-348A

5.0 ENVIRONMENTAL

- 5.1 OPERATING TEMPERATURE RANGE: -65° C TO +165° C

NO	DESCRIPTION	MATERIAL	Q'TY	FINISH
3	CENTER CONTACT	BRASS	1	GOLD 30μ" MIN.
2	INSULATION	TEFLON	1	NONE
1	BODY	BRASS	1	GOLD 3μ" MIN.



APPROVED by _____ DATE: _____

DESCRIPTION		SMP STRAIGHT PCB MOUNT LIMITED DETENT PLUG RECEPTACLE							
製圖	DRAWN	TOLERANCE	品名	48-09	T.G.G	日期	DATE	版次	REV.
	Yoko								
檢圖	CHECK	.XX	±0.1	單位	mm(in)	DWG.NO. 48-0009			
	Arc	.XXX	±0.05	比例	SCALE				
認定	APPROVAL	ANGLE	±5°						
	Angela								