



ENGLISH

Datasheet

RS Article:1854783

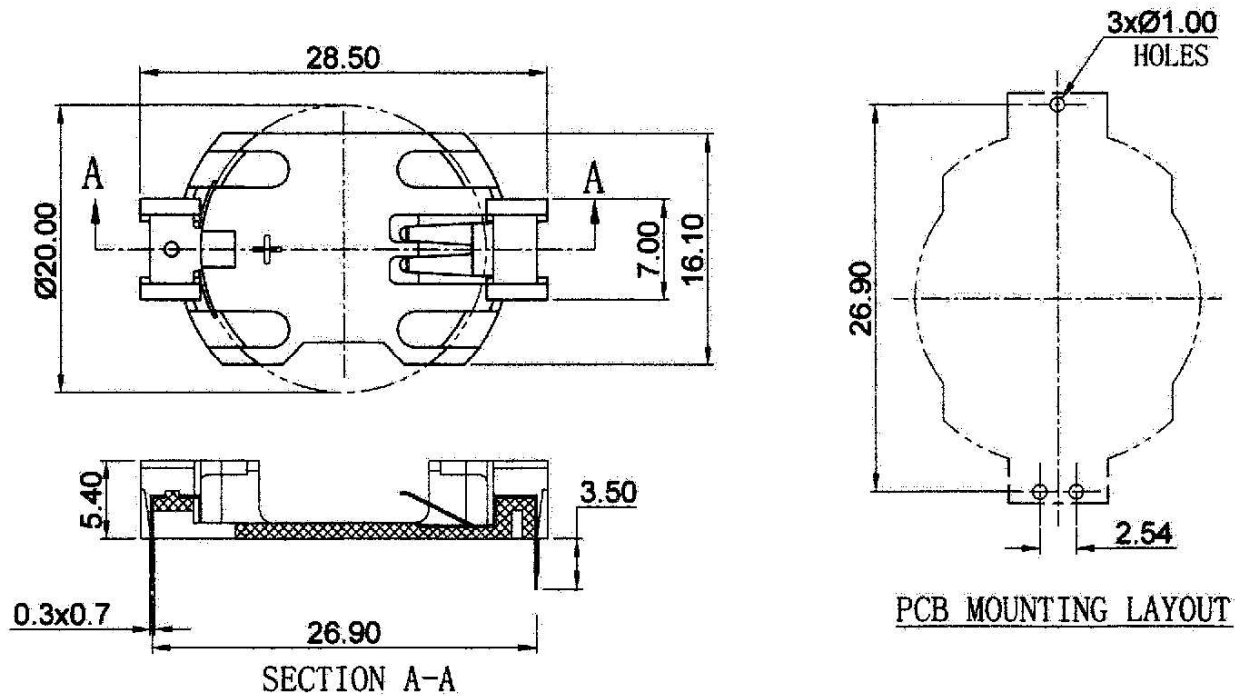
RS Pro Battery Holder



1. Preface:

The purpose of this product specification is to Dimension and drawing

CR2032



NOTES:

- MATERIAL:**
HOUSING: PBT UL94V0 BLACK COLOR
CONTACT: STAINLESS STEEL #301, 0.30MM THK
TIN PLATED OVER NICKEL
- CURRENT RATING : 3A (AC/DC)
- VOLTAGE RATING : 500V (AC/DC)
- CONTACT RESISTANCE: 100 MILLIOHMS
- INSULATION RESISTANCE: 100 MEGAOHMS
- TEMPERATURE RANGE: -55°C TO $+85^{\circ}\text{C}$
- HUMIDITY: 40% AND 90-95% RH FOR 96 HOURS
- RoHS COMPLIANT

Measure: mm