

FEATURES

- IP67
- Neoprene O-ring
- Pre-wired with 100, 200, 300, or 400 mm partially stripped cable
- Straight plugs and sockets
- 4, 5, 8 and 12 pole versions

RS PRO M12 FEMALE FRONT PANEL MOUNT CONNECTOR 5 PIN 500MM PVC CABLE

RS Stock No.: 2055974



RS Professionally Approved Products bring to you professional quality parts across all product categories. Our product range has been tested by engineers and provides a comparable quality to the leading brands without paying a premium price.

Product Description

RS Pro M12 Panel Mount Connectors

From RS PRO, a selection of M12 circular connectors designed for panel mounting. The sensor style connectors have an M12 threaded interface and industry standard A coding preventing miss-mating. Conveniently pre-terminated with partially stripped wires the RS PRO range are easy to incorporate into any automation or sensory application. With an IP67 ingress rating, the RS PRO panel mount connectors are ideally suited to harsh environments that demand a more rugged connection solution.

Features & Benefits

- IP67
- Neoprene O-ring
- Nylon 66 contact carrier
- PG9 clamp nut
- Pre-wired with 100, 200, 300, or 400 mm partially stripped cable
- Straight plugs and sockets
- 4, 5, 8 and 12 pole versions

Applications

The RS PRO series of M12 panel mount connectors are generally used in industrial applications. They are typically used when connecting to sensors and actuators. Some of the most popular areas are

- Instrumentation
- Process control
- Robotics
- Assembly lines
- Factory automation
- Industrial automation

General Specifications

Rated Operational Voltage	60 V
Current Rating	4A
Insulation Resistance	$\geq 100 \text{ M}\Omega$
Temperature Range	-25°C ... +75°C
Mounting	Front (M12 x 1)
Coding	A-Coded

RS PRO M12 PANEL MOUNT CONNECTOR



Material Specifications

Housing Material	Brass Ni Plated
Contact	Cu-Zn
Contact Plating	Gold Flash
Contact Carrier	Nylon 66
O-Ring	Neoprene
Pole	5
Clamp Nut	PG9

Cable Specifications

Cable Length-L	500mm
Cross Section of Wire	0.34 sq. mm
Cable Type	PVC
Termination	Partially Stripped

Protection Category

Degree of Protection	IP67
----------------------	------

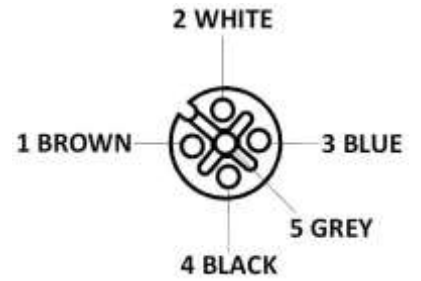
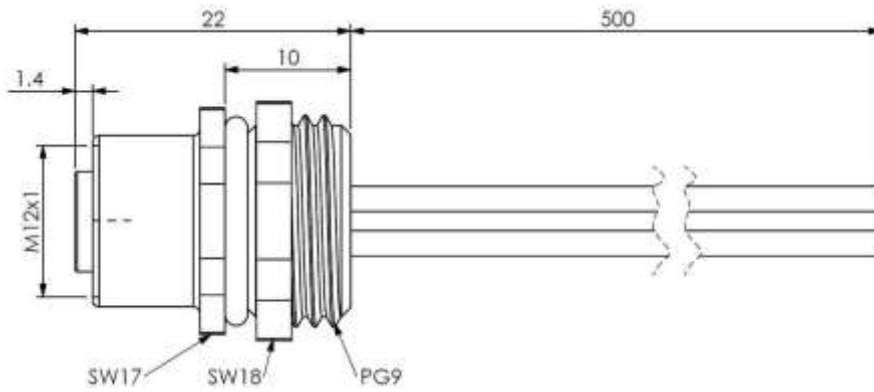
Additional Information

Custom Tariff Number	85369090
----------------------	----------

Similar Products

Stock No.	Brand	Product Name	Attribute 1	Attribute 2
144-7601	RS PRO	M12 Female Front Panel Mount with 100 mm Cable	M12 Panel Mount Connector cable type	M12 Front panel Mount Female 5 Pin 500mm cable

RS PRO M12 PANEL MOUNT CONNECTOR



All Dimensions are in mm.