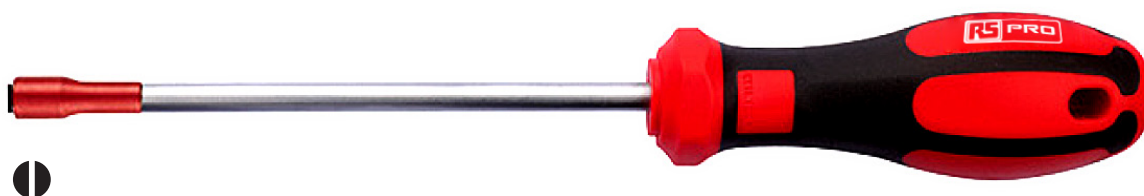




Datasheet

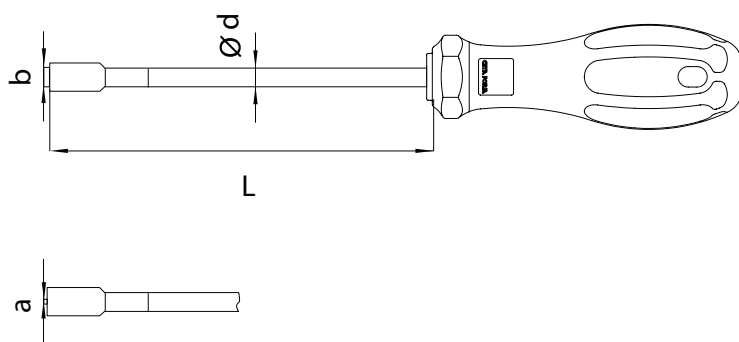
RS PRO Screw Gripping Screwdrivers (Slotted)

EN



Product feature:

- Unbeatable screw holding flexibility around hard to reach areas requiring screw extraction
- Replacement and or tightening A reformulated steel composition coupled with optimized tip geometries ensures resistance to even higher torque levels.
- Improved handle ergonomics enable even higher force transfer with less power.



RS CODE NO	CODE NO	mm	mm	gr
1763414	F10-045SGRS	4.5	75	69
1763413	F10-060SGRS	6.0	150	100