

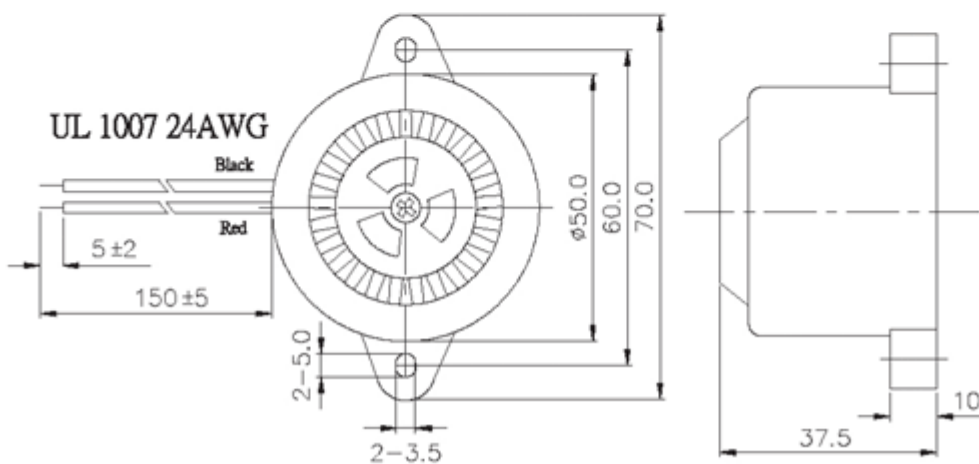
Shape

KPEG960



Model Number	KPEG960
Rated Frequency (Hz)	2,500 ± 500
Operating Voltage Range (VDC)	3 ~ 16
Current Consumption (mA)	Max. 58@12VDC
Sound Pressure Level (dB)	Min. 100dB@30cm@12VDC
Tone	Continuous
Operating Temperature (°C)	-30 ~ +80
Storage Temperature (°C)	-40 ~ +80
Weight (Gram)	35.0
Material	ABS UL-94 1/16" HB (Black)

Dimension



The specification is for reference only. Please confirm the detailed approval sheets before ordering with us.
Kingstate reserves the right to revise or withdraw specifications without advanced notice.