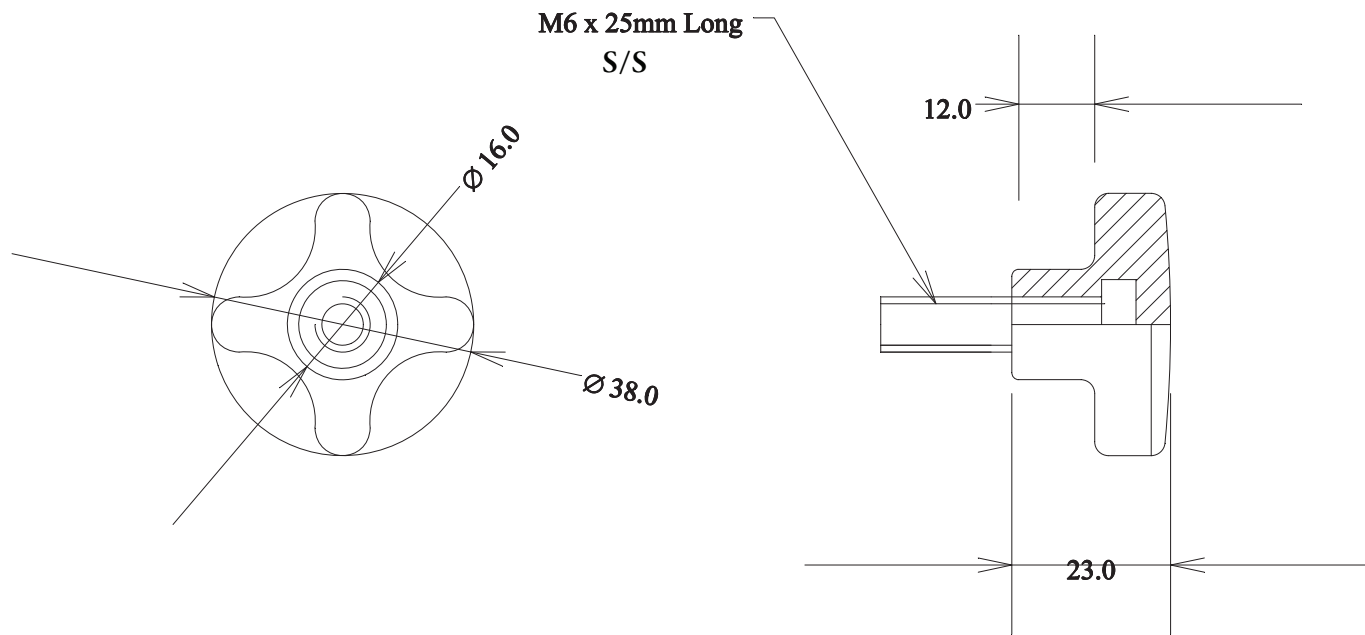




RevNo	Revision note	Date	Signature	Checked



Itemref	Quantity	Title Star Knob - Polypropylene REV.2		Article No./Reference	
Designed by	Checked by	Approved by - date	Filename	Date	Scale
				06/04/10	1:1
			RS 7027737		
			Edition	Sheet	
			1	8	1/1