

## Coil Data

Nominal Voltage : 12V DC  
Coil Power : 1,600mW

## Contact Data

Contact Form : C-1 form C  
Contact Material : Ag Alloy  
Contact Rating : 30A 14V DC Resistive (1 Form C)  
Max. Switching Voltage : 75V DC  
Max. Switching Current : 40A  
Max. Switching Power : 420W (1 Form C)  
Max. Load Current : 14V DC load voltage

Load	C	
	NO	NC
Contact Rating Current	40A	30A
Max. Make Current	100A	
Max. Break Current	40A	

Contact Resistance : ≤ 100mΩ (6V DC 1A)

## Life

Electrical : 100,000 operations  
Mechanical : 10,000,000 operations

## General Data

Min. Insulation Resistance : 100MΩ 500V DC  
Dielectric Strength : 500V AC, 1 min between open contacts  
500V AC, 1 min between coil and contacts  
Max. Operate Time : 10 ms  
Max. Release Time : 10 ms  
Operate Temperature : -40°C to +85°C

## Shock Resistance

Endurance : 1,000m/s<sup>2</sup>  
Misoperation : 100m/s<sup>2</sup>

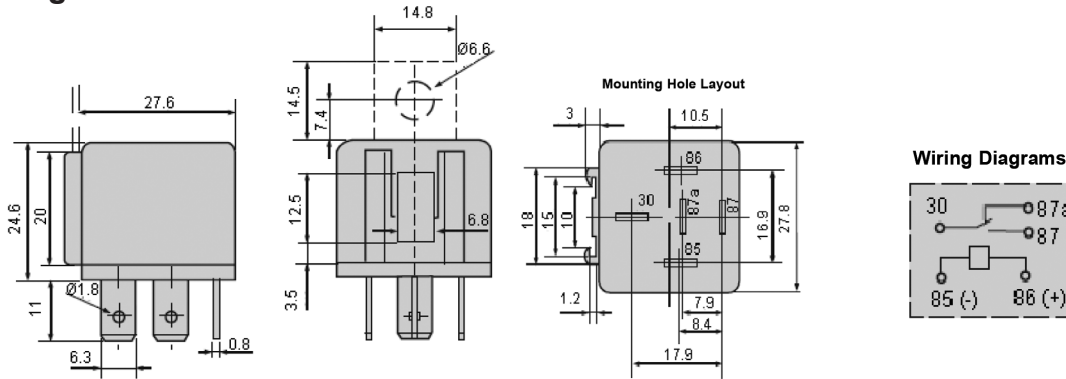
## Vibration Resistance

Endurance : 10-55 Hz, double amplitude 1.5 mm  
Misoperation : 10-55 Hz, double amplitude 1.5 mm  
Weight : Approximately 37 g (With Shoulder)  
Approximately 32 g (No Shoulder)

## Coil Data Chart 20°C

Nominal Voltage V DC	Coil Resistance Ω ±10%	Operate Voltage ≤ V DC	Release Voltage ≥ V DC	Coil Power mW
12	90	8.4	1.2	1,600

## Diagram

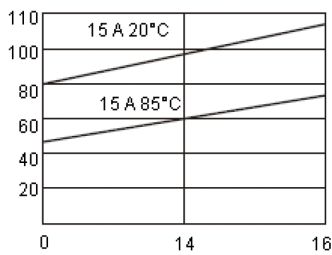


Dimensions : Millimetres

## Characteristic Data

### Temperature Rise

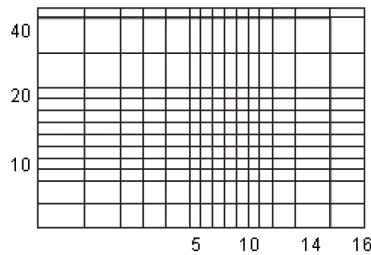
Temperature Rise (°C)



Coil Applied Voltage (V)

### Maximum Switching Power

Contact Current (A)



Contact Voltage (V)

## Part Number Table

Description	Part Number
Relay, Auto, SPDT, 12V DC, 1.6W	MCCMA31-DC12V-C-NS
Relay, Auto, SPDT, 12V DC, 1.6W, Shoulder	MCCMA31-DC12V-C

**Important Notice :** This data sheet and its contents (the "Information") belong to the members of the AVNET group of companies (the "Group") or are licensed to it. No licence is granted for the use of it other than for information purposes in connection with the products to which it relates. No licence of any intellectual property rights is granted. The Information is subject to change without notice and replaces all data sheets previously supplied. The Information supplied is believed to be accurate but the Group assumes no responsibility for its accuracy or completeness, any error in or omission from it or for any use made of it. Users of this data sheet should check for themselves the Information and the suitability of the products for their purpose and not make any assumptions based on information included or omitted. Liability for loss or damage resulting from any reliance on the Information or use of it (including liability resulting from negligence or where the Group was aware of the possibility of such loss or damage arising) is excluded. This will not operate to limit or restrict the Group's liability for death or personal injury resulting from its negligence. Multicomp Pro is the registered trademark of Premier Farnell Limited 2019.