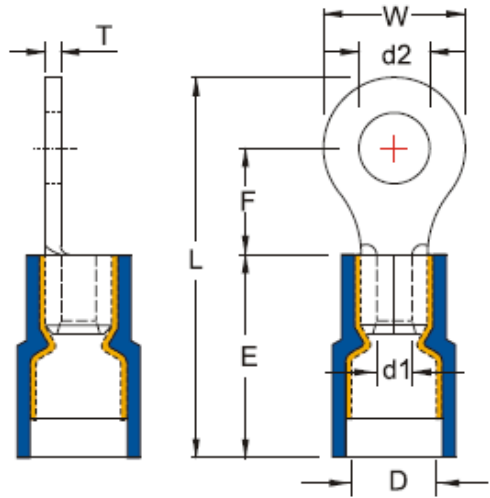
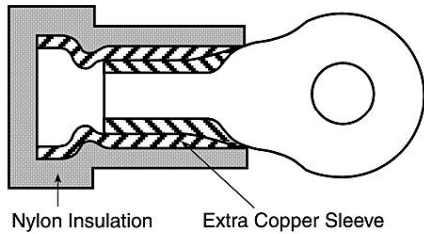




Datasheet

ENGLISH

RS PRO Blue Insulated Crimp Ring Terminal, 1.5mm² to 2.5mm², 16 AWG to 14 AWG, 4.3mm Stud Size
 RS Stock number [267-3773](#)



Technical Specification

- Maximum Electrical Current:** 16 AWG: 18A, 14AWG: 30A
- Maximum Electrical Rating:** 105°C 600V maximum Insulation
- Material:** Nylon
- Insulation Colour:** Blue
- Terminal Material:** Copper
- Double Crimp:** With copper sleeve on barrel

Dimensions

Wire Size (mm ² /AWG)	Stud Size		Dimensions (inch/mm)						
	d2		W	F	L	E	D	d1	T
	Size	(inch/mm)							
1.5-2.5 mm ² /16-14 AWG	#8	.169/4.3	.260/6.6	.248/6.3	.803/20.4	.433/11.0	.205/5.2	.091/2.3	.031/0.8