



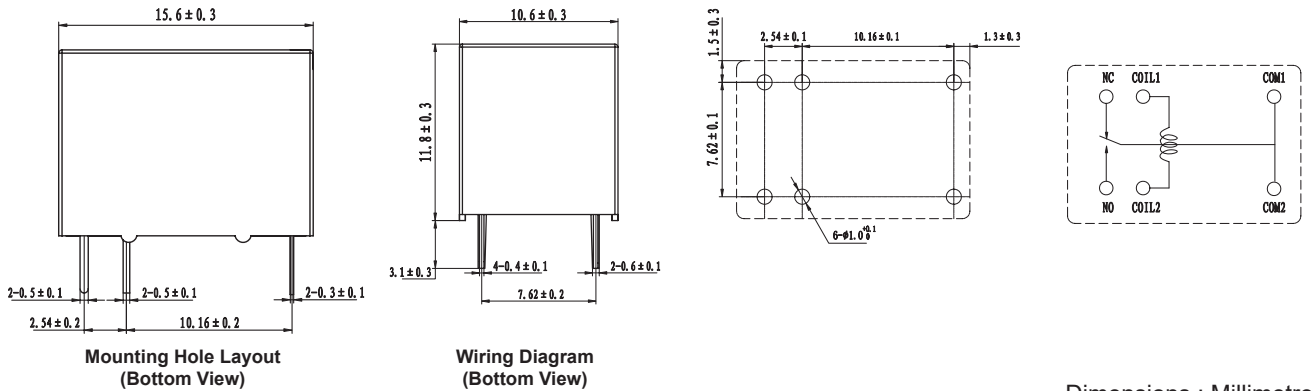
## Features

- Microminiature relay.  
Dimension : 15.6mm × 10.6mm × 11.8mm
- High sensitivity.
- Maximum switching capacity 3A
- Contact Form: 1 form C

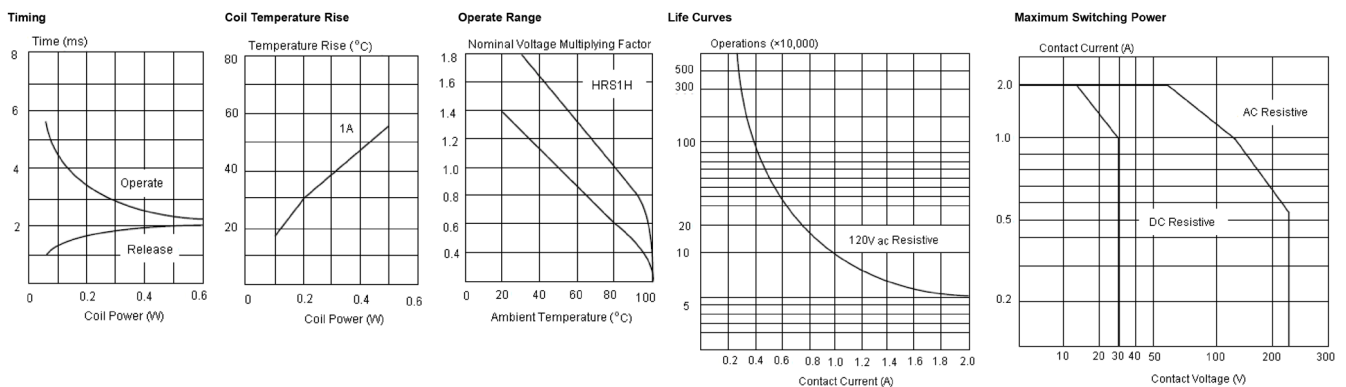
## Specifications

| Contact Data          |                           |   |
|-----------------------|---------------------------|---|
| Contact Material      |                           | AuAg overlay, Ag Alloy  |
| Contact Rating        |                           | 1A 120V AC / 24V DC   |
|                       |                           | 3A 120V AC / 24V DC   |
| Contact Resistance    |                           | Maximum 50mΩ (6V DC 0.1A)   |
| Load                  | Maximum Switching Voltage | 220V AC / 30V DC  |
|                       | Maximum Switching Current | 3A  |
|                       | Maximum Switching Power   | 360VA, 90W  |
|                       | Minimum Switching Load    | 5V DC, 10mA   |
| Life                  | Electrical                | 100,000 Operations (1A 120V AC / 24V DC)<br>50,000 Operations (3A 120V AC / 24V DC) |
|                       | Mechanical                | 10,000,000 Operations   |
| Coil Data             |                           |   |
| Nominal Coil Power    |                           | 200mW, 360mW  |
| General Data          |                           |   |
| Insulation Resistance |                           | Minimum 1,00MΩ 500V DC  |
| Dielectric Strength   | Between Open Contacts     | 750V AC, 1 Min  |
|                       | Between Coil and Contacts | 1,000V AC, 1 Min  |
| Operate Time          |                           | Maximum 5ms   |
| Release Time          |                           | Maximum 5ms   |
| Operating Temperature |                           | -25°C to +70°C  |
| Humidity              |                           | 35 to 95% RH, +40°C   |
| Shock Resistance      | Endurance                 | 1,000m/s <sup>2</sup>   |
|                       | Misoperation              | 100m/s <sup>2</sup>   |
| Vibration Resistance  | Endurance                 | 10 to 55Hz, 1.5mm Double Amplitude  |
|                       | Misoperation              |   |

## Out Line, Wiring Diagram, Mounting Hole Layout



## Characteristic Chart Data



## Coil Data

Ambient Temperature: 23°C

| Nominal Voltage<br>V DC | Coil Resistance<br>$\Omega \pm 10\%$ | Operate Voltage<br>$\leq V$ DC | Release Voltage<br>$\geq V$ DC | Coil Power<br>mW | Part Number     |
|-------------------------|--------------------------------------|--------------------------------|--------------------------------|------------------|-----------------|
| 5                       | 125                                  | 3.75                           | 0.5                            | 200              | MCHRS1H-S DC5V  |
| 12                      | 720                                  | 9                              | 1.2                            |                  | MCHRS1H-S DC12V |
| 24                      | 2880                                 | 18                             | 2.4                            |                  | MCHRS1H-S DC24V |

**Important Notice :** This data sheet and its contents (the "Information") belong to the members of the AVNET group of companies (the "Group") or are licensed to it. No licence is granted for the use of it other than for information purposes in connection with the products to which it relates. No licence of any intellectual property rights is granted. The Information is subject to change without notice and replaces all data sheets previously supplied. The Information supplied is believed to be accurate but the Group assumes no responsibility for its accuracy or completeness, any error in or omission from it or for any use made of it. Users of this data sheet should check for themselves the Information and the suitability of the products for their purpose and not make any assumptions based on information included or omitted. Liability for loss or damage resulting from any reliance on the Information or use of it (including liability resulting from negligence or where the Group was aware of the possibility of such loss or damage arising) is excluded. This will not operate to limit or restrict the Group's liability for death or personal injury resulting from its negligence. Multicomp Pro is the registered trademark of Premier Farnell Limited 2019.