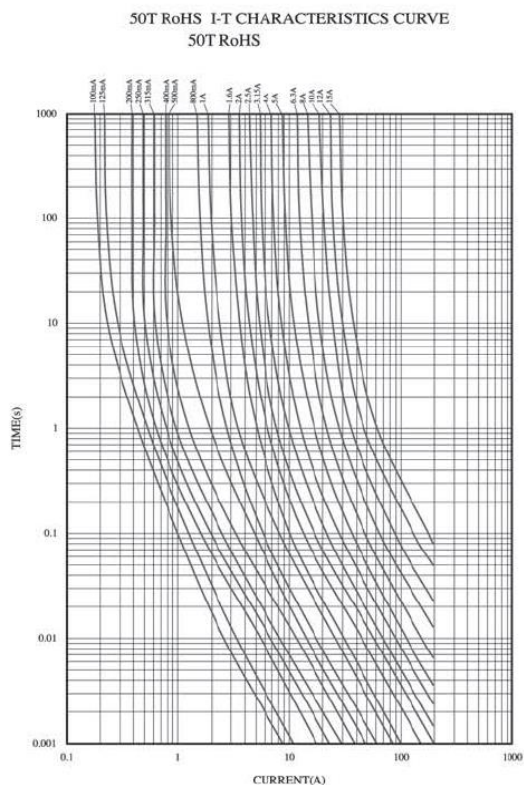
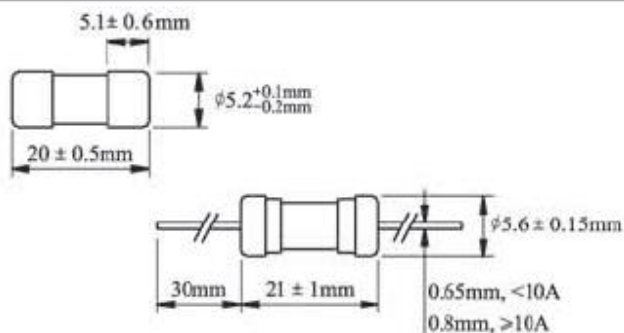


Datasheet

FUSE 16A 5X20MM 19195

RS Stock number [610-9989](#)



Specification

BREAKING CAPACITY:
35A OR 10In WHICHEVER IS GREATER

ELECTRICAL CHARACTERISTICS:

RATING		BLOWING TIME	
		32-100mA	125mA-15A
2.1In	Max	2min	2min
	Min	200ms	600ms
2.75In	Max	10sec	10sec
	Min	40ms	150ms
4In	Max	3sec	3sec
	Min	10ms	20ms
10In	Max	300ms	300ms