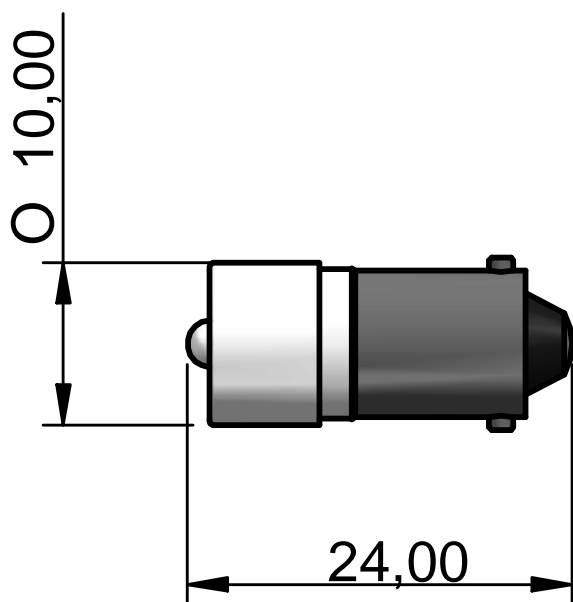


Datasheet

ENGLISH

RS ITEM NO 210-614



LED/Multiled	LED	Optimum voltage (V)	28vac/dc	Intensity	2070mcd
Mounting Size	10x25mm	Rectifier	Half Wave		
Mounting Finish		AC current	9mA(max)		
Protection		DC current	17mA		
Mount Holder	Ba9s	Voltage Tolerance(%)	10%		
Chip Qty	1	Optimum temperature (°C)	-30°C...+60°C		
Indicator colour	White	Storage temperature (°C)	-30°C...+60°C		
Wavelength (nm)		Contact Tab x 2	Ba9s Cap		



Dimension in mm (typical), not to scale.
We reserve the right to make changes without further notice to this product to improve reliability, function or design.