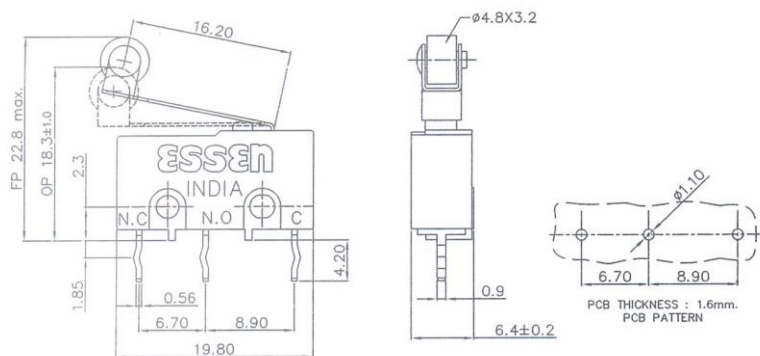
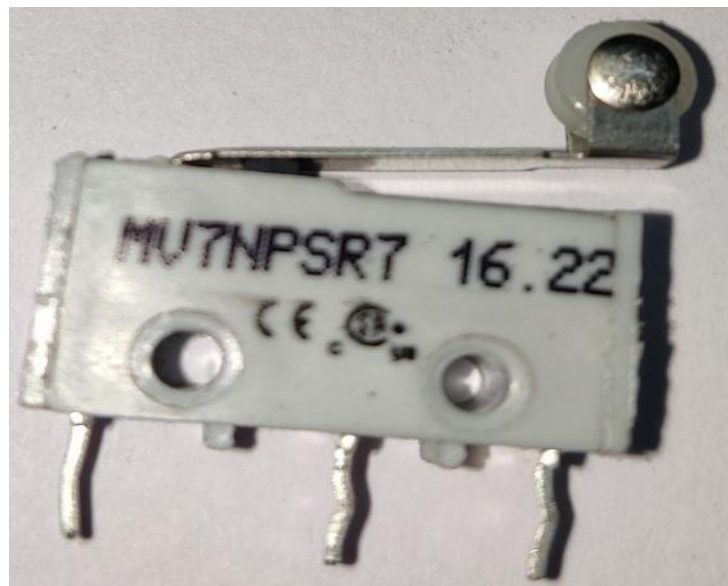


FEATURES

- DESIGNED FOR APPLICATIONS WHERE LOW OPERATING FORCE IS REQUIRED.
- MOULDED FROM GLASS FILLED FLAME RETARDENT THERMOPLASTIC(U L94V-0).
- LONG MECHANICAL AND ELECTRICAL LIFE.
- CONFORM TO IEC 1058-1 STANDARD.
- CE / CSA us APPROVED

RS PRO Miniature Micro Switch

RS Stock No.: 804-6271



RS Professionally Approved Products bring to you professional quality parts across all product categories. Our product range has been tested by engineers and provides a comparable quality to the leading brands without paying a premium price.

Product Description

- *Single pole change over.*
- *Snap action mechanism.*
- *Rapid changeover of contacts.*
- *Roller lever actuator.*
- *Long mechanical & electrical life.*

General Specifications

| | |
|------------------------------|---------------------------------------------|
| Contact Configuration | SPDT |
| Contact Arrangement | 1No + 1NC snap action. |
| Contacts | Silver alloy / Solid silver. |
| Terminals | Copper alloy, Silver plated. |
| Plunger | Thermoplastic. |
| Case | Glass filled flame retardant thermoplastic. |

Electrical Specifications

| | |
|------------------------------|--------------------------------------------|
| Rating | 2.0A at 250V AC (RESISTIVE). |
| Contact Resistance | 50 milliohms at 0.1A. |
| Insulation Resistance | 100 Megaohms min. at 500V DC. |
| Dielectric strength | 1000V AC rms for one minute. |
| Electrical life | 50,000 operations at 20 cpm at rated load. |
| Mechanical life | 500,000 operations at 60 cpm. |

Mechanical Specifications

| | |
|-------------------------------|------------------------------------------------------------------------|
| Actuating Force (AF) | 50gmsmax. |
| Release Force (RF) | 2.5gmsmin. |
| Free Position(FP) | 22.8 mmmax. |
| Operating Position(OP) | 18.3±1.0 mm. |
| Pretravel | 4.5 mmmax. |
| Overtravel | 1.18 mm. |
| Movement Differential | 1.1 mmmax. |
| Mounting | PC Board mounting as given PCB pattern & PCB thickness must be 1.6 mm. |
| Unit Weight | 2.6gms. Approx. |
| Salient Features | Integral lever actuator with free running nylon roller, PCB terminals. |

Operation Environment Specifications

| | |
|------------------------------------|-----------------|
| Operating Temperature Range | -25°C to +85°C. |
|------------------------------------|-----------------|

Protection Category

| | |
|------------------|-------|
| IP Rating | IP40. |
|------------------|-------|

Approvals

| | |
|----------------------------------|---------|
| Compliance/Certifications | CE/CSA. |
|----------------------------------|---------|

Similar Products

| Parameters | Stock# | Stock# | Stock# | Stock# |
|-------------------------------|--------|--------|--------|--------|
| Brand | RS PRO | RS PRO | RS PRO | RS PRO |
| Contact Configuration | | | | |
| Switch Operation | | | | |
| Illuminated | | | | |
| Actuator Colour | | | | |
| Actuator Shape | | | | |
| Legend Text | | | | |
| Legend Text Colour | | | | |
| Lens Shape/Symbol | | | | |
| Contact Material | | | | |
| Case Material | | | | |
| Actuator Style | | | | |
| Contact Current Rating | | | | |
| AC Voltage Rating | | | | |
| DC Voltage Rating | | | | |
| Terminal Type | | | | |
| Termination Style | | | | |
| Contact Resistance | | | | |
| Minimum Insulation Resistance | | | | |
| Dielectric Strength | | | | |
| Panel Cut Out Size | | | | |
| Panel Cut Out Width | | | | |
| Panel Cut Out Height | | | | |
| Panel Cut Out Diameter | | | | |
| Mounting Type | | | | |
| Operating Temperature Range | | | | |
| IP Rating | | | | |
| Compliance/Certifications | | | | |

CONSTRUCTIONAL DIAGRAM/CIRCUIT DIAGRAMS