



Main

| | |
|---------------------------|-------------------------|
| Range of product | Harmony XAC |
| Product or component type | Pendant control station |
| Device short name | XACB |

Complementary

| | |
|---------------------------------------|--|
| Control station type | Double insulated |
| Enclosure material | Glass reinforced polyester |
| Electrical circuit type | Control circuit Power circuit |
| Enclosure type | Empty enclosure |
| Number of cut-out | 6 cut-outs |
| Control station colour | Yellow |
| Cable entry | Rubber sleeve with stepped entry 10...22 mm |
| Guard rail | Without |
| Vertical operator cut-out centre | 40 mm |
| Standards | CSA C22.2 No 14 IEC 60947-5-1 |
| Product certifications | CSA type 4 |
| Protective treatment | TH |
| Ambient air temperature for operation | -25...70 °C |
| Ambient air temperature for storage | -40...70 °C |
| Vibration resistance | 15 gn (f= 10...500 Hz) conforming to IEC 60068-2-6 |
| Shock resistance | 100 gn conforming to IEC 60068-2-27 |
| Overvoltage category | Class II conforming to IEC 61140 |
| IP degree of protection | IP65 conforming to IEC 60529 |
| IK degree of protection | IK08 conforming to IEC 62262 |
| Mechanical durability | 1000000 cycles |
| Net weight | 1.16 kg |

Packing Units

| | |
|------------------------------|----------|
| Unit Type of Package 1 | PCE |
| Number of Units in Package 1 | 1 |
| Package 1 Height | 10.0 cm |
| Package 1 Width | 11.0 cm |
| Package 1 Length | 70.0 cm |
| Package 1 Weight | 1.245 kg |
| Unit Type of Package 2 | P06 |
| Number of Units in Package 2 | 25 |
| Package 2 Height | 73.5 cm |
| Package 2 Width | 80.0 cm |

| | |
|------------------|-----------|
| Package 2 Length | 60.0 cm |
| Package 2 Weight | 39.125 kg |

Offer Sustainability

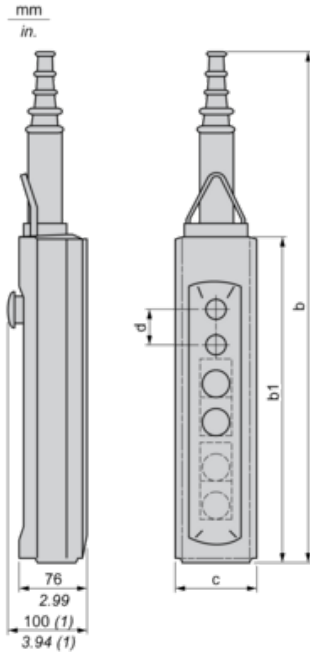
| | |
|----------------------------|--|
| REACH Regulation | REACH Declaration |
| REACH free of SVHC | Yes |
| EU RoHS Directive | Pro-active compliance (Product out of EU RoHS legal scope) EU RoHS Declaration |
| Toxic heavy metal free | Yes |
| Mercury free | Yes |
| China RoHS Regulation | China RoHS Declaration |
| RoHS exemption information | Yes |

Contractual warranty

| | |
|----------|-----------|
| Warranty | 18 months |
|----------|-----------|

Dimensions

Below drawing shows a product with 6 cut-outs. Select the number of cut-outs according to the product characteristics in order to get b, b1 and c dimensions.



(1) With mushroom head operator

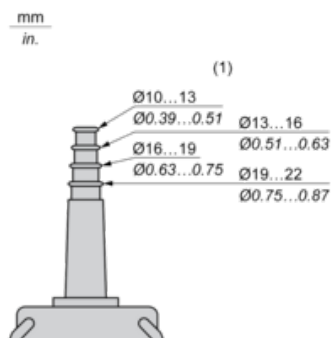
Dimensions in mm

| Number of cut-outs | 2 | 4 | 6 | 8 | 12 |
|--------------------|-----|-----|-----|-----|-----|
| b | 409 | 499 | 589 | 679 | 679 |
| b1 | 220 | 310 | 400 | 490 | 490 |
| c | 98 | 98 | 98 | 98 | 98 |
| d | 40 | 40 | 40 | 40 | 30 |

Dimensions in in.

| Number of cut-outs | 2 | 4 | 6 | 8 | 12 |
|--------------------|-------|-------|-------|-------|-------|
| b | 16.10 | 19.64 | 23.19 | 26.73 | 26.73 |
| b1 | 8.66 | 12.20 | 15.75 | 19.29 | 19.29 |
| c | 3.86 | 3.86 | 3.86 | 3.86 | 3.86 |
| d | 1.57 | 1.57 | 1.57 | 1.57 | 1.18 |

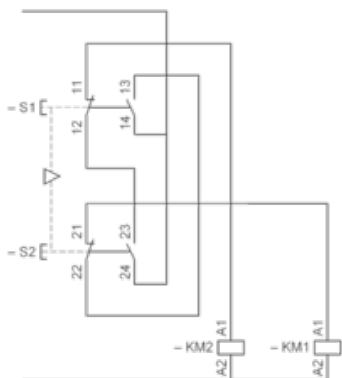
Protective cable sleeves



(1) Internal \emptyset

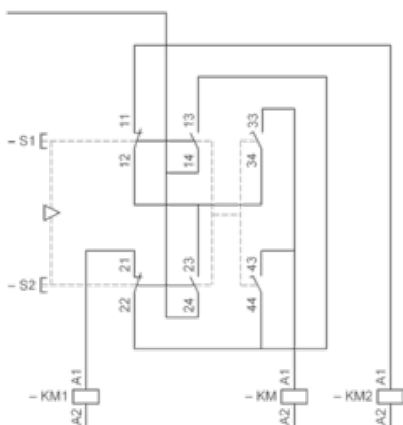
Control of Single-Speed Reversing Motor

With XESD1181 contact block, to be ordered separately



Control of 2-Speed Reversing Motor

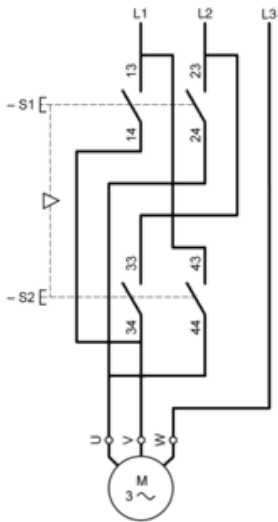
With XESD1281 contact block, to be ordered separately



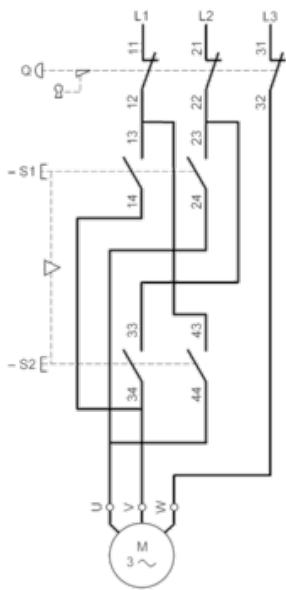
KM High speed contactor

Control of Single-Speed Reversing Motor 2-Phase Switching

With XESD1191 contact block, to be ordered separately

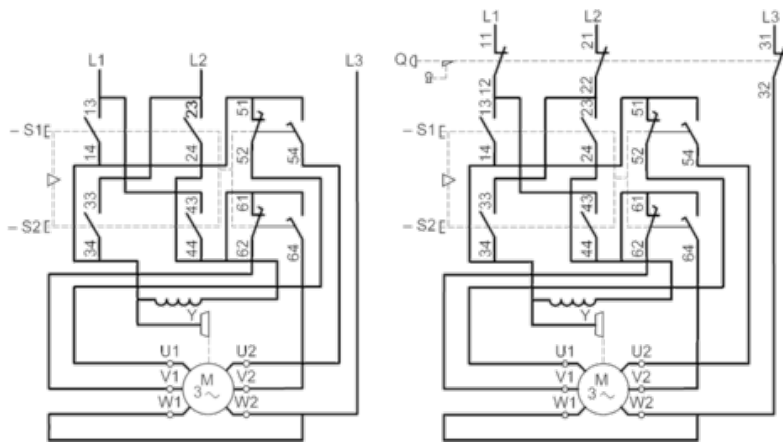


Combined with 3-pole isolating block XACS399 or XACS3991, shown in the unoperated position (pendant station "supplied"), fitted with key release trigger action latching Emergency stop operator.



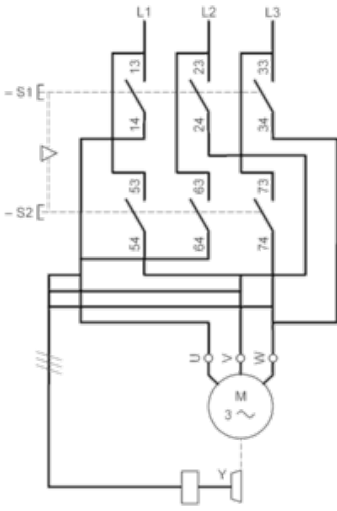
Control of 2-Speed Reversing Motor 2-Phase Switching

With XESD1291 contact block, to be ordered separately



Control of Single-Speed Reversing Motor 3-Phase switching, Reversing by 2-Phase Inversion

With XESD2201 contact block, to be ordered separately



Control of Single-Speed Reversing Motor 3-Phase switching, Reversing by 2-Phase Inversion

With XESD2241 contact block, to be ordered separately

