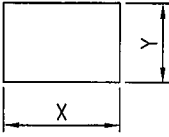
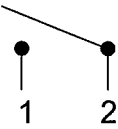
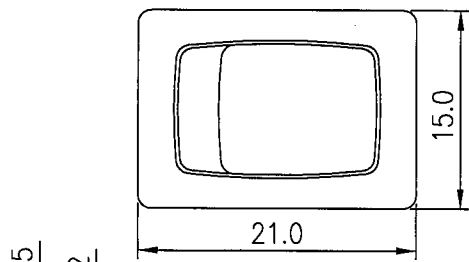
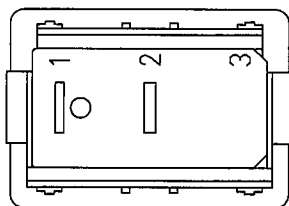
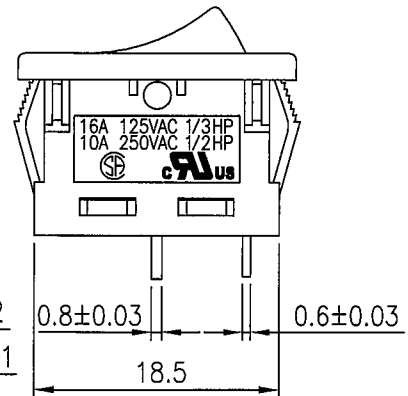
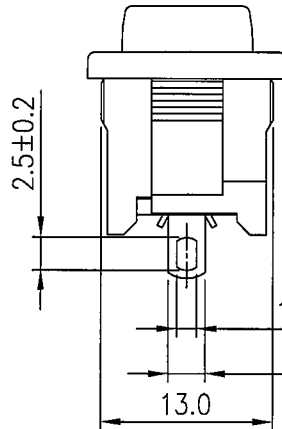
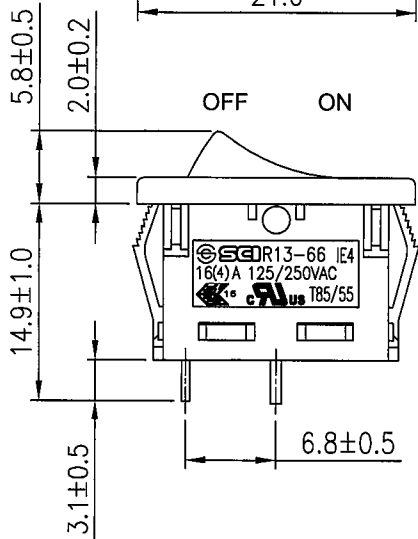


Rating	16A 125VAC 1/3HP 10A 250VAC 1/2HP 16(4)A 125/250V AC	cULus T85/55 IE4	Mounting Hole 	Circuit Diagram 
Contact Resistance	50m ohm Max.			
Insulation Resistance	DC 500V 100M ohm Min.			
Dielectric Strength	AC 1500V 1 minute			
Operation Temperature	-25°C~85°C	Thickness		
Switch Function	2P SPST ON-OFF	0.75...1.25	19.2-0.1	13+0.1
		1.25...2	19.4-0.1	13+0.1
		2...3	19.8-0.1	13+0.1



Material:
Frame: Black, Nylon#66
Actuator: Black, Nylon#66
Printed: None



For ER031 only



Tolerances ±0.3 Unless Otherwise Specified

									△
									△
Date	Name		Description						No.
Drawn	Checked	Approved	SCI BOM No.	1826846	Model Name	ROCKER SWITCH			
林玥呈			Customer No.	419726	Model No.	R13-66A-05			Rev.
9/6/18		9/6/18	Unit	mm	Shin Chin Industrial Co., Ltd.				0