

Datasheet

1m Fibre Optic Cable Assembly, Connector B: ST, Multi Mode OM1

RS Stock number [536-7336](#)



Specification:

Standard Fibre Patch Cords - LC to ST
Fibre optic patch cords in standard Duplex configurations featuring:
Polished ceramic ferrule SC connectors
Maximum insertion loss 0.5dB
Colour coded strain reliefs to indicate signal path
Low smoke, zero halogen insulation

RS, Professionally Approved Products, gives you professional quality parts across all product categories. Our range has been testified by engineers as giving comparable quality to that of the leading brands without paying a premium price.

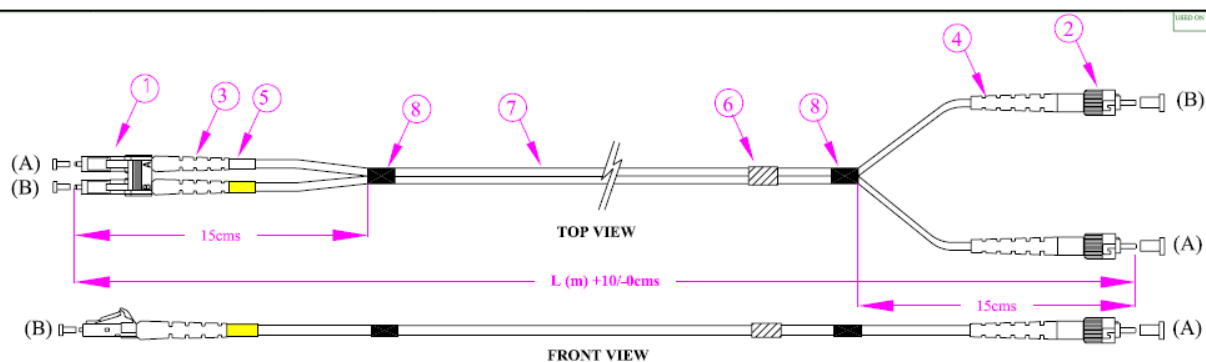
Caution

Do not exceed the minimum bend radius.

Specification:

- Communication Channels: Duplex
- Connector A: LC
- Connector B: ST
- Core Diameter: 62.5/125µm
- Fibre Type: OM1
- Length: 1m
- Propagation Mode: Multi Mode
- Sheath Colour: Orange

Dimensions:



Cable and Fibre Type

Grade of the cable: LSZH

Fibre type (ISO/IEC 11801-2002)		Outer Sheath Colour
62.5/125	OM1	Orange
50/125	OM2	Orange
50/125	OM3	Purple
09/125	OS1	Yellow

Optical Performance (IEC 61300-3-4):

Multimode (@ 1300nm)

Max. IL - 0.30dB Typical: 0.20dB

Singlemode: (@1310nm and/or 1550nm)

Max. IL - 0.30dB Typical: 0.20dB Return Loss: >50dB

RoHS Compliant

Coiling Diameter: Coiling Diameter of the patchcord shall be greater than 200mm

Packing: Each product shall be individually bagged and identified with a unique number printed on an ID label affixed to the product. Also, each product will be supplied with a Test Certificate.

Id No.	Description	Ea
1.	LC Connector	2
2.	ST Connector	2
3.	LC Boots	2
4.	ST Boots	2
5.	LC Heat Shrink (Yellow+White)	1+1
6.	Identification Label	1
7.	1.6mm Duplex Cable (L m)	1
8.	Black Tape	2

REV	DESCRIPTION	DATE	DRN	APD	REV	DESCRIPTION (REVISION RECORD)	DATE	DRN	APD
MATERIAL		SIZE	TITLE		PART NO.		DWG/REF. NO.		DRN
FINISH		SCALE	TOLERANCES UNLESS OTHERWISE SPECIFIED		REV		DA. VDR		APD
ALL DIMENSIONS IN MM		SCALE	TOLERANCES UNLESS OTHERWISE SPECIFIED		REV		DA. VDR		APD
ALL DIMENSIONS IN MM		SCALE	TOLERANCES UNLESS OTHERWISE SPECIFIED		REV		DA. VDR		APD