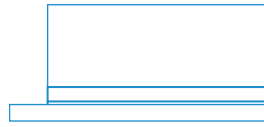


LED RECESSED LUMINAIRE



RC SERIES



Application

Accommodation areas, Passageways, Cabins

Mounting Method

4 mounting brackets,
Hole cut out (2ft): 638 X 211 mm
Hole cut out (4ft): 1247 X 211 mm

Material

Diffuser: PMMA ice crystal
Housing: Zinc coated steel, Powder coated white

Electrical

Flexible wiring, Heat resistant up to 105°C

Protection Class

IP44 in conjunction with ceiling

Options

100V ~ 120V AC

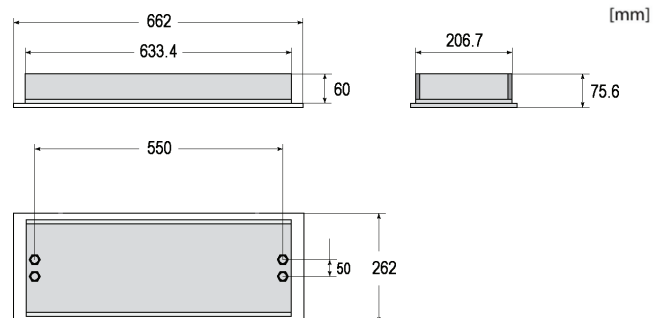
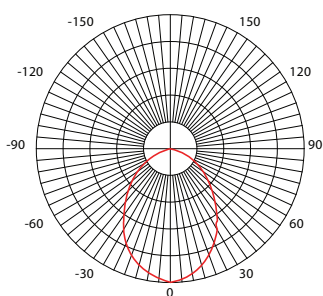
Weight

RC21: 3.7Kg RC22: 4.0Kg
RC41: 6.9Kg RC42: 7.5Kg

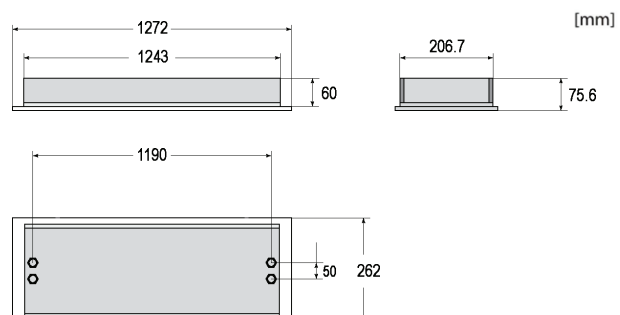
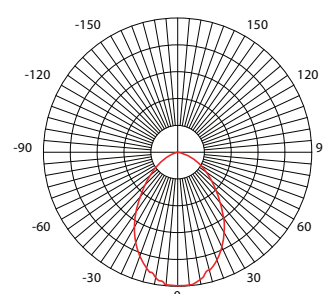
Key Features

- Triac dimming compatible
- Integrated with LED linear module(s) to provide high illumination performance
- Long service life of 50,000 hours L70 @ 45°C (Ta)
- Safety, EMC and IEC compliance
- Available with battery backup system and emergency lighting

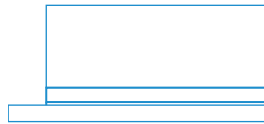
RC21/RC22



RC41/RC42



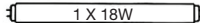
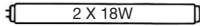
LED RECESSED LUMINAIRE



RC SERIES

- B Denotes : With battery backup
- E Denotes : With DC24V emergency LED

TECHNICAL SPECIFICATIONS IP 44

Ideal Replacement:  RC21 for 1X18W
 RC22 for 2X18W

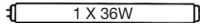
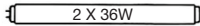
BH Code	Type	Main Voltage	Power	CCT	Ambient Temp (Ta)	System Lumen
IGLARC215A2	RC21	220V - 240V AC	1x12.5W	5000K	-30°C ~ +45°C	950lm
IGLARC215A2B	RC21	220V - 240V AC	1x12.5W	5000K	-30°C ~ +45°C	950lm
IGLARC215A2E	RC21	220V - 240V AC	1x12.5W	5000K	-30°C ~ +45°C	950lm
IGLARC225A2	RC22	220V - 240V AC	2x12.5W	5000K	-30°C ~ +45°C	1900lm
IGLARC225A2B	RC22	220V - 240V AC	2x12.5W	5000K	-30°C ~ +45°C	1900lm
IGLARC225A2E	RC22	220V - 240V AC	2x12.5W	5000K	-30°C ~ +45°C	1900lm

Also available in other CCT.

* Ambient Temperature not applicable for Battery Backup System and Emergency Lighting.



TECHNICAL SPECIFICATIONS IP 44

Ideal Replacement:  RC41 for 1X36W
 RC42 for 2X36W

BH Code	Type	Main Voltage	Power	CCT	Ambient Temp (Ta)	System Lumen
IGLARC415A2	RC41	220V - 240V AC	1x24W	5000K	-30°C ~ +45°C	1900lm
IGLARC415A2B	RC41	220V - 240V AC	1x24W	5000K	-30°C ~ +45°C	1900lm
IGLARC415A2E	RC41	220V - 240V AC	1x24W	5000K	-30°C ~ +45°C	1900lm
IGLARC425A2	RC42	220V - 240V AC	2x24W	5000K	-30°C ~ +45°C	3800lm
IGLARC425A2B	RC42	220V - 240V AC	2x24W	5000K	-30°C ~ +45°C	3800lm
IGLARC425A2E	RC42	220V - 240V AC	2x24W	5000K	-30°C ~ +45°C	3800lm

Also available in other CCT.

* Ambient Temperature not applicable for Battery Backup System and Emergency Lighting.

