

## Datasheet

ENGLISH

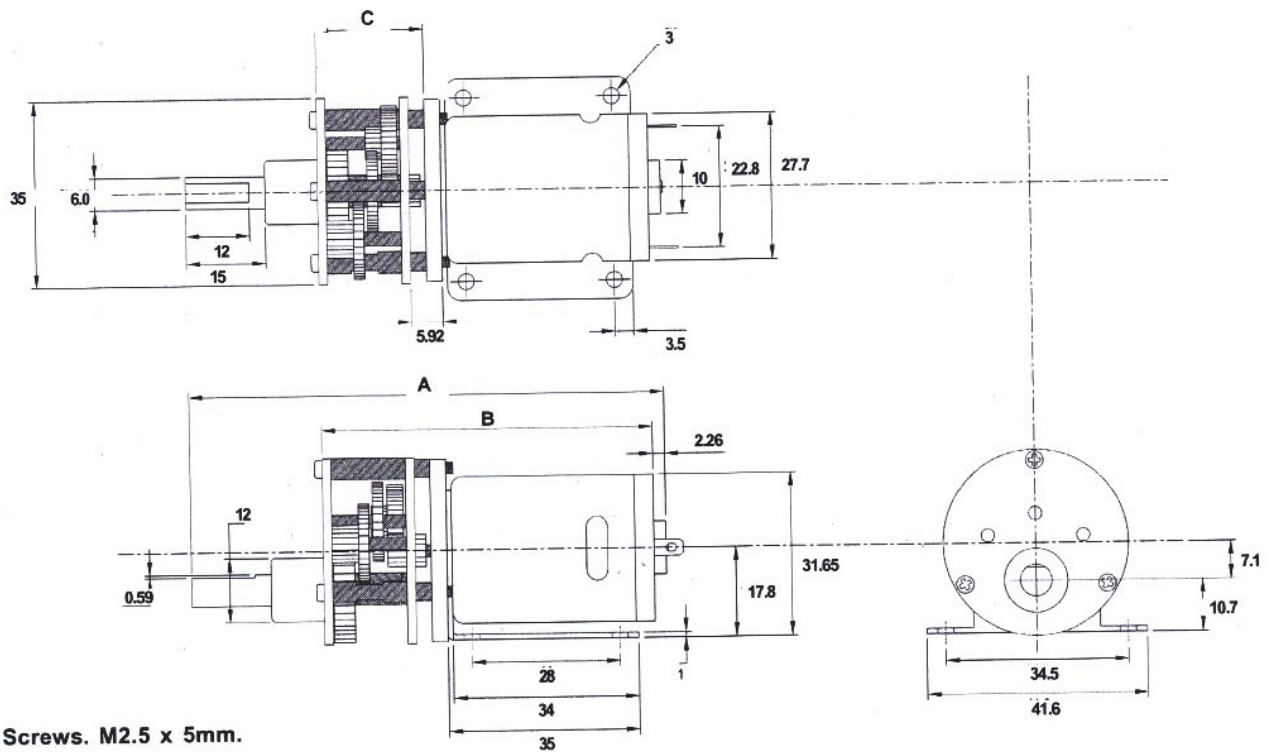
# RS PRO, 12 V dc, 2587 gcm, Brushed DC Geared Motor, Output Speed 233 rpm

Stock No: 454-0833



## Specifications:

Output Speed	233 rpm
Supply Voltage	12 V dc
Maximum Output Torque	2587 g.cm
DC Motor Type	Brushed
Shaft Diameter	6mm
Power Rating	7.98 W
Gearhead Type	Spur
Length	62.7mm
Width	35mm
Current Rating	990 mA
Weight	159g



Screws. M2.5 x 5mm.

Ratio	A	B	C
50:1	89.7mm	62.7mm	20.9mm

Gearbox Housing material	Metal
Backlash at no-load	< 2°
Bearing at output	Sleeve bearings
Radial load (10mm from flange)	< 1 kgf
Shaft axial load	< 0.7 kgf
Shaft press fit force max	< 20 kgf
Radial play of shaft	< 0.05mm
Thrust play of shaft	< 0.35mm

Reduction Ratio	Rated tolerance Torque	Max momentary Tolerance Torque	Efficiency
1/50	3 kgf-cm Max.	9 kgf-cm	66%

Reduction Table RPM SUPPLY VOLTAGE	4.5v	6v	9v	12v	15v
454-0833	87	117	175	233	291

Note: Motor speeds may vary by (+) or (-) 12.5%

