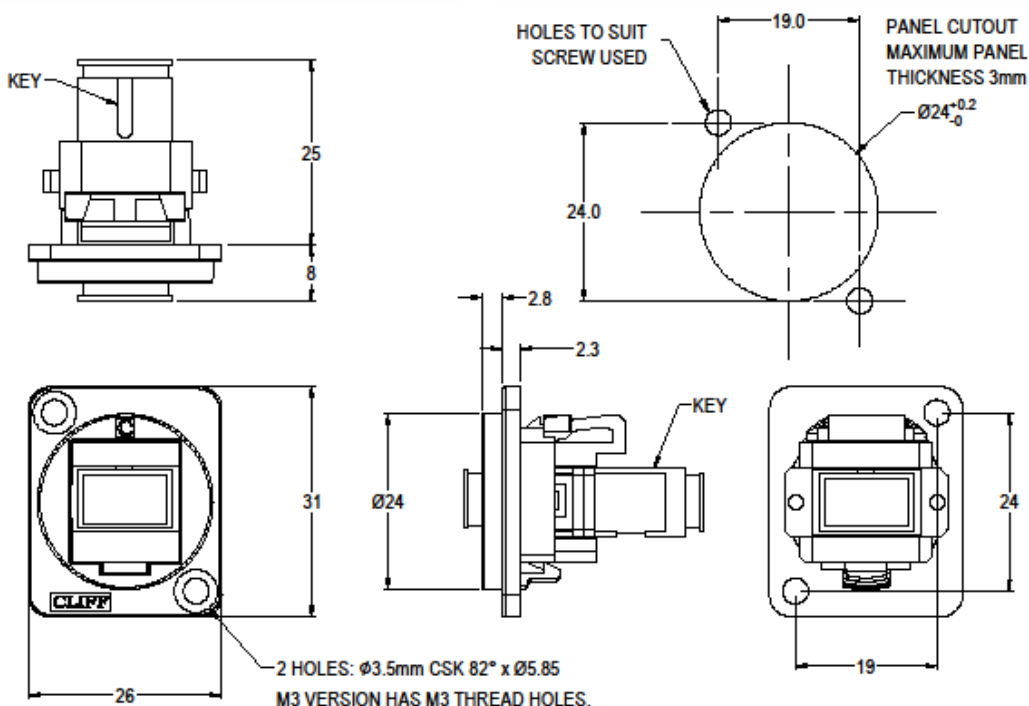


Datasheet

# RS PRO METAL SC SIMPLEX SM M3 FEEDTHROUGH CONNECTOR

Stock No: 2035588, 2035589



Material:

1. Coupler Body: ABS
2. Frame: Nickel or black plated zinc diecast
3. Sleeve: Ceramic
4. Dust Cover: ABS
5. Insert: ABS/PC

Notes:

1. Insertion Loss:  $\leq 0.3$ dB
2. Dust caps may vary

## Features & Benefits:

- Fits standard XLR Ø24mm cutout.
- No soldering or punch termination. Use standard cable for each connector style.
- Front or rear mounted.
- Low rear profile

## General:

Please note: Functionality is affected by cable quality, length and cable wiring configuration.

## Other models available:

### Part No.

- |                |  |
|----------------|--|
| <b>9075646</b> | SC Simplex SM Nickel plated metal frame, CSK holes |
| <b>9160246</b> | SC Simplex SM Black metal frame, CSK holes         |
| <b>8741257</b> | SC Simplex SM Black plastic frame, PLAIN holes     |



[rspro.com](http://rspro.com)

