

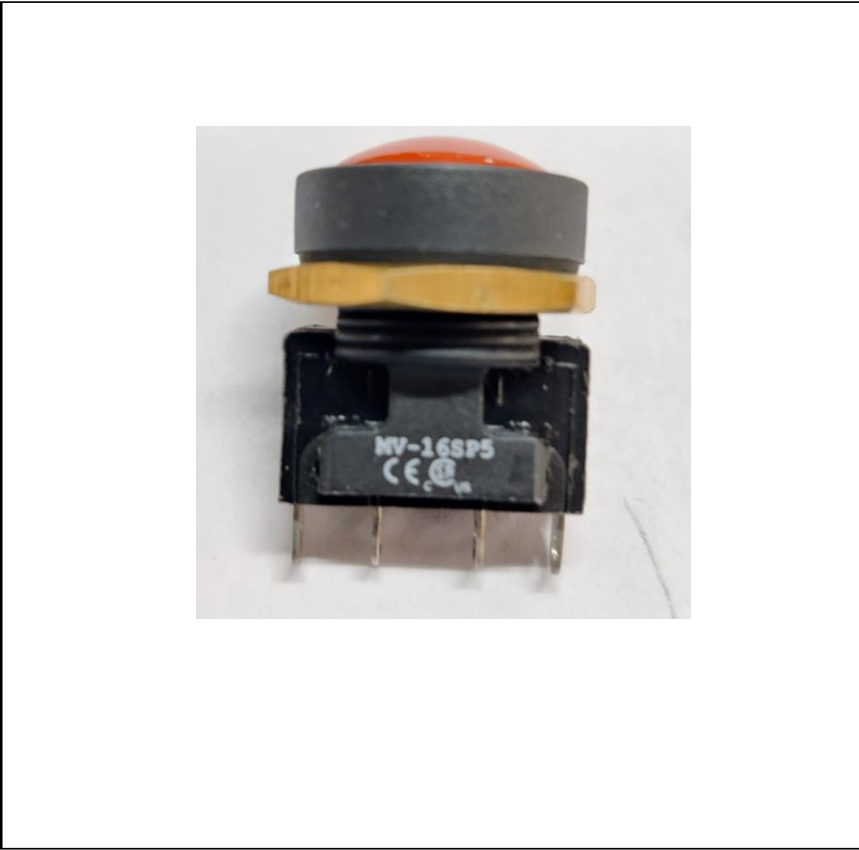
RS PRO Miniature Micro Switch

RS STOCK NUMBER - 2496837

FEATURES

- MOMENTARY ACTION PUSH BUTTON SWITCH SUITABLE FOR Ø16MM PANEL CUT OUT.
- THIS SNAP FIT MICRO SWITCH IS SEALED FOR IP 67 PROTECTION WITH A PANEL SEALED IP67 VERSION MAKING IT SUITABLE FOR INDUSTRIAL AND COMMERCIAL ENVIRONMENTS.
- LONG MECHANICAL AND ELECTRICAL LIFE.
- CONFORM TO IEC 1508-1 STANDARD

-  /  /  APPROVED.



RS Professionally Approved Products bring to you professional quality parts across all product categories. Our product range has been tested by engineers and provides a comparable quality to the leading brands without paying a premium price.

Product Description ATTRIBUTE 1

- 2 circuit double-break snap action mechanism.
- 1 NO + 1 NC contacts with form z arrangement.
- Spring controlled pivoted mechanism.
- Rapid change over contacts ensures reliable bi-stability.
- Moulded from glass filled flame retardant thermoplastic.
- Micro switches are available in attractive colour of buttons. (Suffix at * in the ordering code of micro switch for colour).
Red=R
- Fine silver contacts.
- Long mechanical & electrical life.

General Specifications

Contact Configuration	2 circuit double break snap action mechanism.
Contact Arrangement	1NO + 1NC, snap action.
Contacts	Fine silver.
Terminals	Copper alloy, tin plated.
Plunger	Thermoplastic.
Case	Glass filled flame retardant thermoplastic (UL94 V0).
Bezel(Body)	Glass filled flame retardant thermoplastic (UL94 V0).
Button & Plunger	Thermoplastic.

Electrical Specifications

Contact Rating	10 A (resistive) at 250V AC (max.).
	10 mA (resistive) at 5V DC (min.).
Contact Resistance	25 milliohms (max.) (initial).
Insulation Resistance	1000 Megaohms at 500V DC (min.).
Dielectric Strength	1 KV AC for 1 minute.
Electrical life	50,000 operations.
Mechanical life	100,000 operations.

Mechanical Specifications

Actuating Force (AF)	380gms. To 550 gms.
Trevel (Nom.)	2.3 mm.
Panel Thickness	1.5 mm. (max.).
Movement Differential	0.50 mm, (max.).
Mounting	Single-hole mounting require a 16mm single panel cut-out as shown in drawing. One M16 locknut provided.
Unit Weight	8.9gms. Approx.
Salient Feature	Push Button actuator, solder type terminals through the bottom of case.

Operation Environment Specifications

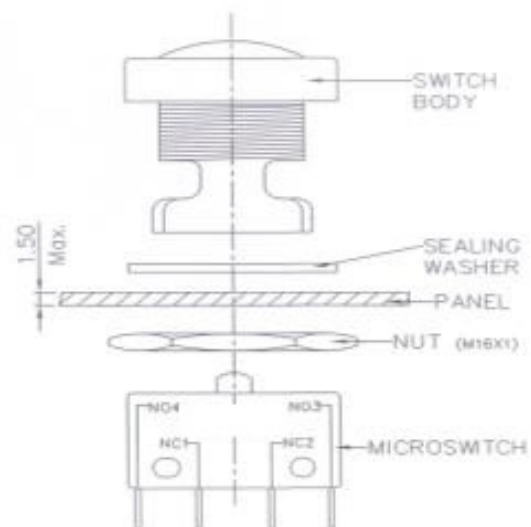
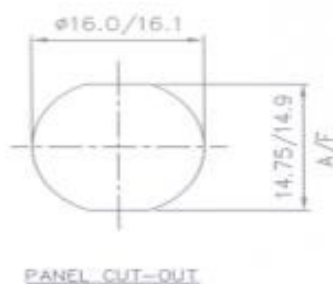
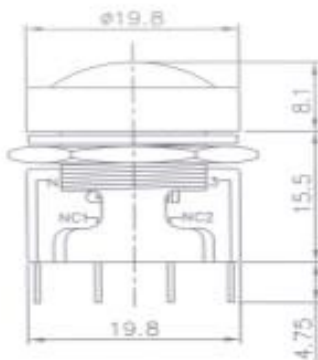
Operating Temperature Range	-40°C to +85°C.
-----------------------------	-----------------

Protection Category

IP Rating	IP67(Front), IP 40 (Rear).
-----------	----------------------------

Approvals

Compliance/Certifications	
---------------------------	--



MOUNTING INFORMATION:

1. SWITCH BODY WITH SEALING WASHER FITTED FROM THE FRONT OF THE PANEL.
2. LOCKED DOWN WITH AN M16 NUT USING A 20mm SPANNER AT A TORQUE BETWEEN 1.5 Nm \pm 0.5 Nm TO ATTAIN THE CORRECT SEALING.
3. THEN SNAP THE MICROSWITCH CAREFULLY INTO ITS HOLDER FROM BEHIND THE PANEL.