

FEATURES

- Right-angle SMA connector
- Cable mounting
- Clamp termination
- For use with R58A cables
- Male RF coaxial connector
- Voltage rating of 500V
- Characteristic impedance of 50Ω
- Gold-plated brass body and gold-plated centre contact
- Normal polarity
- Suitable for use with a variety of RF coaxial cables
- Operating frequency up to 12.4GHz
- Subminiature size

RS PRO 50Ω Right Angle Cable Mount SMA Connector, Plug, RG58A

RS Stock No.: 546-3232



RS Professionally Approved Products bring to you professional quality parts across all product categories. Our product range has been tested by engineers and provides a comparable quality to the leading brands without paying a premium price.

Product Description

This sub miniature radio frequency (RF) connector from RS PRO is the ideal tool for joining together smaller coaxial (sometimes called coax) cables. These transmit the RF signals that are present in all our homes and businesses, from mobile phone communication to microwaves.

This SMA connector has an operating frequency of 12.4 GHz and a characteristic impedance of 50 Ohms (Ω). It's suitable for use with R58A coaxial cables. These are typically used to transmit signals in laboratories, two-way radio communication systems and WLAN (Wireless Local Area Network) antennas.

General Specifications

Coaxial Connector Type	SMA Connector
Gender	Male
Mounting Type	Cable Mount
Termination Method	Clamp
Body Orientation	Right Angle
Cable Type	RG58A
Size	Sub miniature
Bulkhead	No
Body Plating	Gold
Contact Material	Brass
Contact Plating	Gold
Body Material	Brass
Type	SMA
Insulation Material	Teflon
Applications	Antennas; Industrial; Wireless; Broadband; Military

Electrical Specifications

Impedance	50Ω
Polarity	Normal
Operating Frequency	0GHz to 12.4GHz
VSWR (Voltage Standing Wave Ratio)	1.398 Max
Voltage Rating	500V
Dielectric Withstanding Voltage	1000V

Operation Environment Specifications

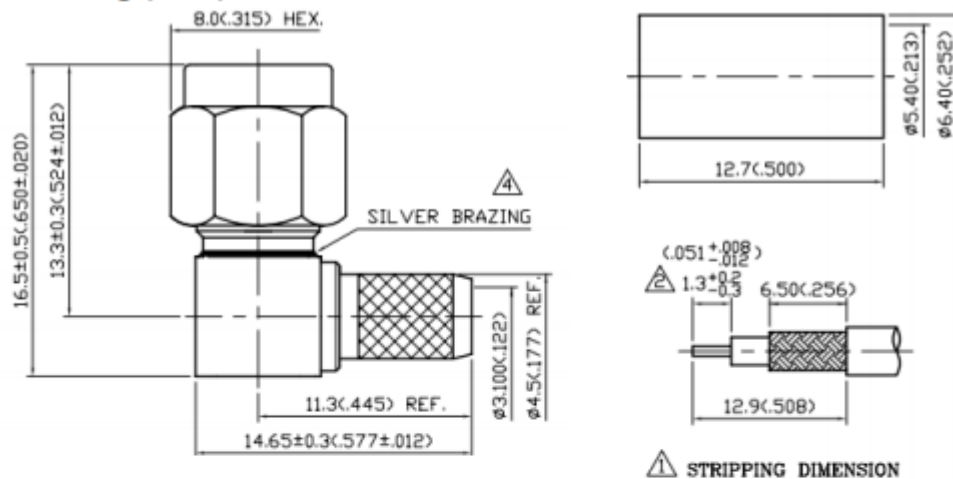
Minimum Operating Temperature	-65°C
Maximum Operating Temperature	165°C

Approvals

Standard Met	RoHS Compliant, ANSI/ESD S20.20:2014, BS EN 61340-5-1:2007
---------------------	--



Drawing (mm):



1.0 ELECTRICAL

- 1.1 FREQUENCY RANGE: DC-12.4 GHz
- 1.2 NOMINAL IMPEDANCE: 50 OHM
- 1.3 WORKING VOLTAGE: 500 VOLTS MAX.
- 1.4 PROOF VOLTAGE: 1000 VOLTS
- 1.5 VSWR: 1.398 MAX.

2.0 MATERIALS

- 2.1 BODIES: BRASS PER JIS-C3604
- 2.2 CENTER CONTACT: BRASS PER JIS-C3604
- 2.3 INSULATION: TEFLON PER ASTM D1457 AND ASTM D1710
- 2.4 CRIMP FERRULE: BRASS PER JIS-C2700

3.0 FINISHES AND OTHERS

- 3.1 SEE BELOW TABLE FOR DETAILS.

4.0 MECHANICAL

- 4.1 INTERFACE IN ACCORDANCE WITH: MIL-STD-348A
- 4.2 FOR USE WITH 58U OR SIMILAR STYLE CABLE
- 4.3 CABLE ATTACHMENT: OUTER: CRIMP, INNER: SOLDER
- 4.4 RECOMMENDED COUPLING TORQUE: 3 TO 5 in-lbs
- 4.5 CRIMP SIZE REQUIRED: CONTACT: SOLDER
FERRULE: 5.5(.215) HEX. CRIMP TOOL

5.0 ENVIRONMENTAL

- 5.1 OPERATING TEMPERATURE RANGE: -65° C TO +165° C