



1797432 PIEZO TRANSDUCER

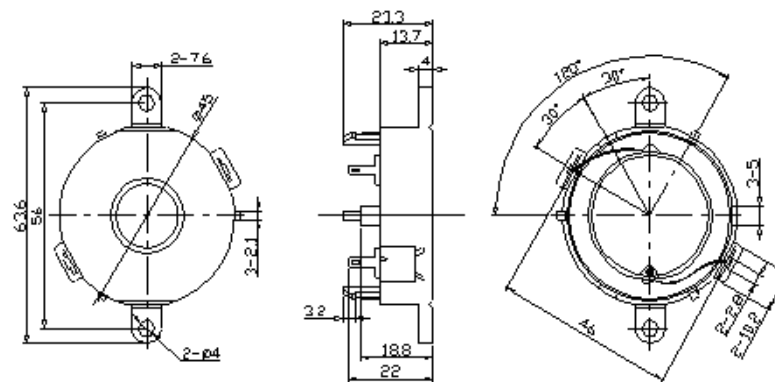
SOUNDERS & BUZZERS

Specifications

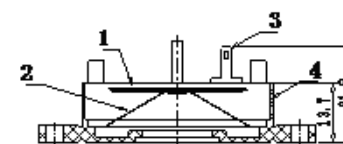
1797432

| | |
|--|-------------------------|
| Rated voltage(Vp-p square wave) | 12Vp-p |
| Sound output at 30cm, 12Vp-p square wave, 3000Hz (min) | ≥100dB |
| Frequency response* | 2200-4000Hz |
| Capacitance at 120Hz | 140±30%nF |
| Continuous drive voltage (max) | 50Vp-p (50% duty cycle) |
| Intermittent drive voltage (max) | 60Vp-p (50% duty cycle) |
| Operating temperature | -40~+105°C |
| Storage temperature | -40~+105°C |

*Value applying at rated voltage (AC)
Requires additional electronic circuitry to operate as a sounder



- 1. Piezo element - brass
- 2. Film
- 3. Lead pin - Red copper (DSn)
- 4. Housing - Nylon PA46



Features

- ROHS compliant
- Lead pin material: Red copper (DSn)

All data at 25°C unless otherwise specified

Dimensions Unit: mm Tolerance: ±0.5mm