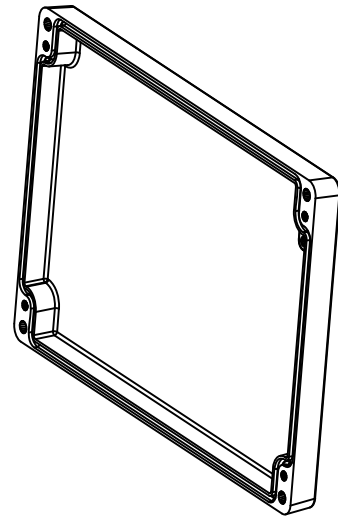
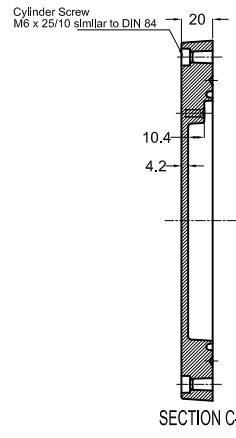
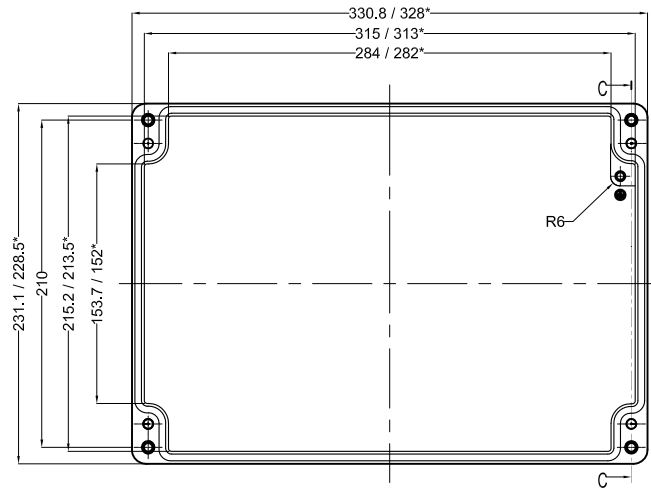
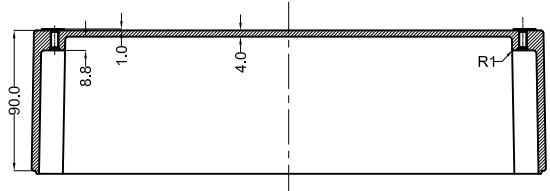
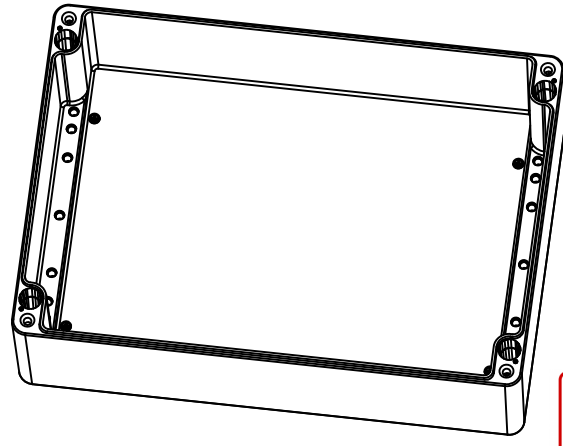
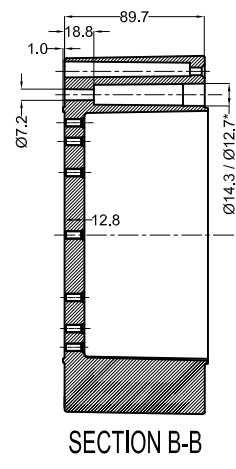
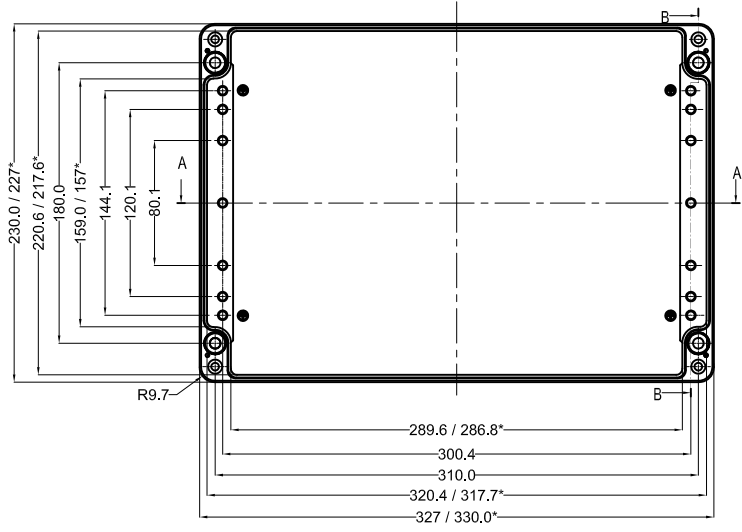


* = Conical form tapering downward.
 Untoleranced dimensions per GTA 13/5 - DIN 1688

LID



BASE



SECTION A-A



QUANTITY 1	MATERIAL :- ALs112 (Din230)	MACH.NAME -	DATE 13/06/12	SIGN MANOJ	NAME DRAWN
WEIGHT: -		TITLE :- JUNCTION BOX 330 x 230 x 110	DATE 13/06/12	SIGN PAVAN	NAME CHECKED
FINISH: NATURAL			S. D. APPROVED		
TOLERANCE		SCALE			
±0.2	DIMENSIONS	ALL DIMENSION ARE IN MM			
±0.2	HOLES				
±1.0°	ANGLES				