

# Professionally approved products. Datasheet

## Black Polymer Knob, M8 x 12

RS Stock number [448-8864](#)



### Product Details

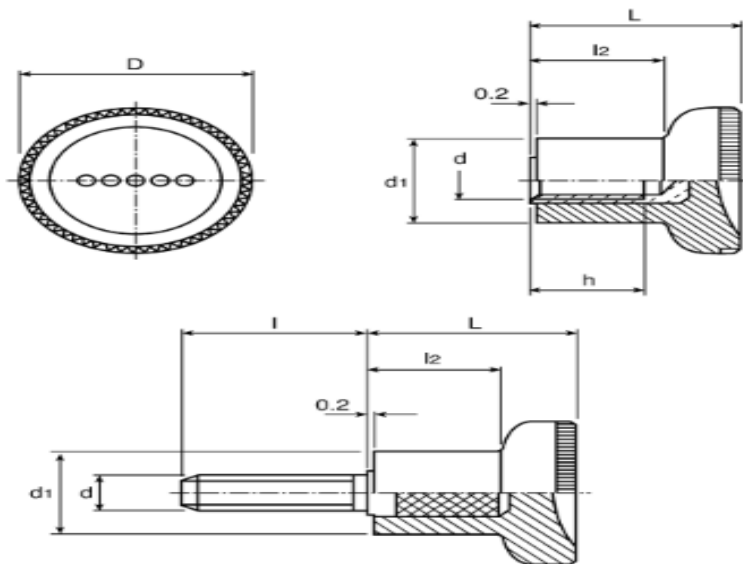
#### Knurled Push/Pull Knob

For push/pull applications as opposed to clamping

Thermoplastic shatterproof with brass female insert or zinc plated steel stud

RS, Professionally Approved Products, gives you professional quality parts across all product categories. Our range has been testified by engineers as giving comparable quality to that of the leading brands without paying a premium price.

Dimensions (mm)							
Stock no	L	l	l <sub>2</sub>	D	d	h	d <sub>1</sub>
448-8820	18	n/a	10.5	21	M4	10	12.5
448-8836	18	n/a	10.5	21	M5	10	12.5
448-8858	22.5	n/a	14	25	M6	12	14.5
448-8864	22.5	n/a	14	25	M8	12	14.5
448-8870	27	n/a	17	31	M10	17	18.5
448-8896	21	16	10.5	21	M5	16	12.5
448-8892	25	16	14	25	M6	n/a	14.5
448-8915	31	20	17	31	M8	n/a	18.5
448-8921	31	30	17	31	M10	n/a	18.5



Product Code