



# Datasheet

## RS PRO Two-Part Enclosures

Stock number: 1920739

EN

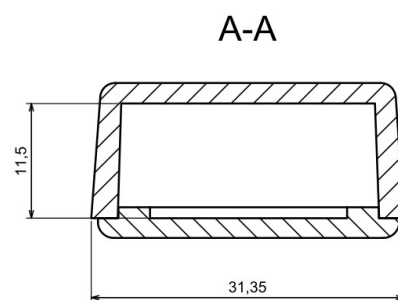
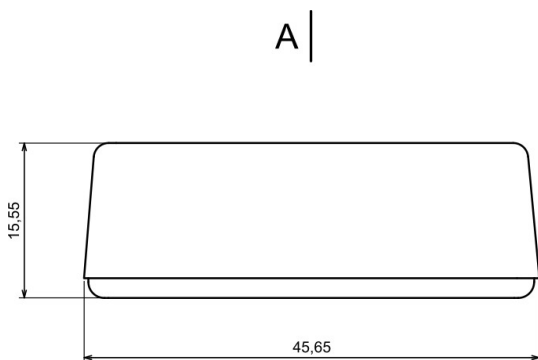


## Product Details

Two-part enclosure is made of black ABS. The enclosure provides IP53 rating it is ideal for applications that doesn't require hermetic seal.

## Features and Benefits

- Made of ABS
- Available in black color
- Protection against liquids and solid objects: IP53 rating

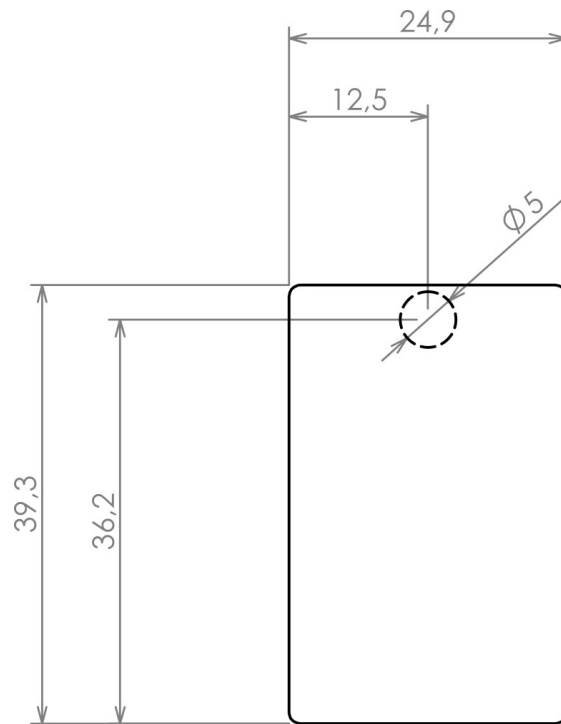


A |

Category	Enclosures With lid
Type	Full
Material	ABS
Variant	Without gasket
Height	16.0 mm
Width	31.0 mm
Length	46.0 mm
Color	Black
Protection level	IP53
Standards Met	RoHS Compliant
Certificate number	Z/12/001/17, CE/031/18



## Max PCB size



Dashed line shows outline of the mounting boss under PCB board  
Recommended mounting holes diameter  $\varnothing 3,5\text{mm}$   
All dimensions are given within  $\pm 0,5\text{mm}$  tolerance