



EN

Datasheet

RS PRO NYLON-INSULATED CORD END TERMINALS

Stock number: 178-7316

MAXIMUM ELECTRIC CURRENT:

A.W.G.	14
AMP.	30

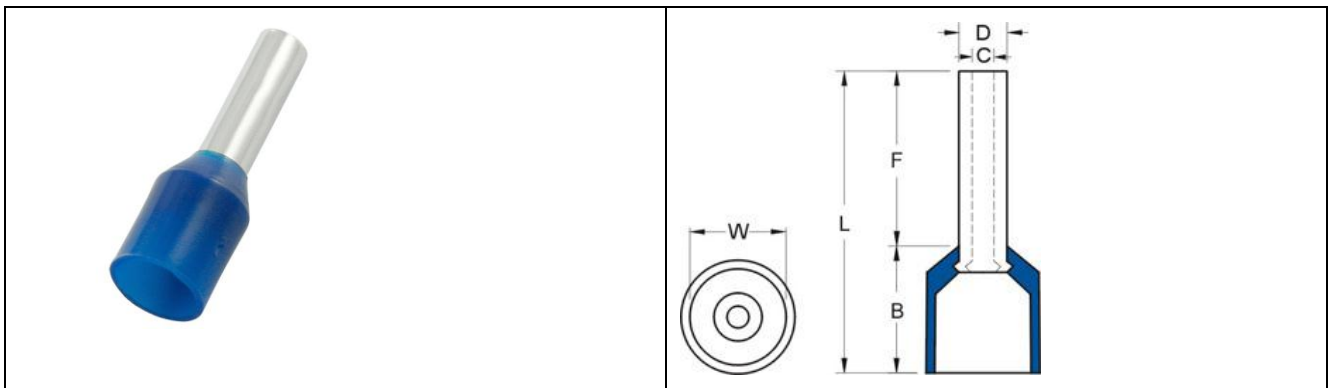
MAXIMUM ELECTRICAL RATING: 105° C 600 VOLTS MAX.

INSULATION MATERIAL: NYLON

TERMINAL MATERIAL: COPPER TUBE

SURFACE TREATMENT: TIN PLATE

INSULATION COLOR: BLUE



WIRE RANGE A.W.G. mm ²	ITEM NO.	DIMENSION inch(mm)					
		F	L	W	B	D	C
14 A.W.G.	178-7316	0.394	0.685	0.165	0.291	0.098	0.087
2.5 mm ²		10	17.4	4.2	7.4	2.500	2.2