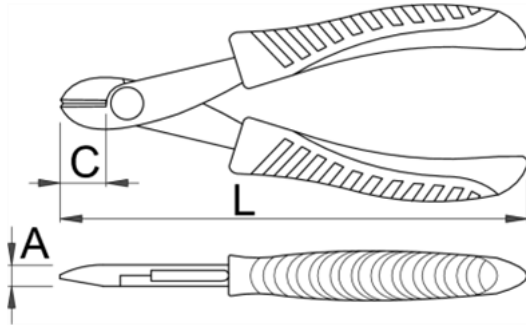


Electronic side cutter - 461/4E



Description

- material: special tool steel
- drop forged, entirely hardened and tempered
- heavy duty double - component handles

Technical Data

Barcode	Lenght	B	A	C	Weight	Material	Length	Width	Height
620072	115	13	8.2	13.5	95	4B	10	-	-

PartInfo1

Barcode	Lenght	max 750 N/mm <sup>2</sup> Øf
620072	115	1,5

Packaging data

Barcode	Lenght	Retail tool packaging			Weight	Hand	Transport package			Weight
		Retail packaging in mm (length)	Retail packaging in mm (width)	Retail packaging in mm (height)			Transport packaging in mm (length)	Transport packaging in mm (width)	Transport packaging in mm (height)	
620072	115	190	58	23	101	4	86	220	61	529