

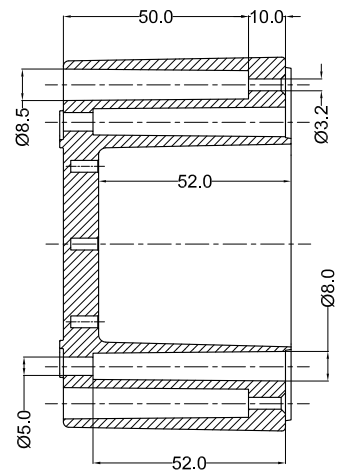
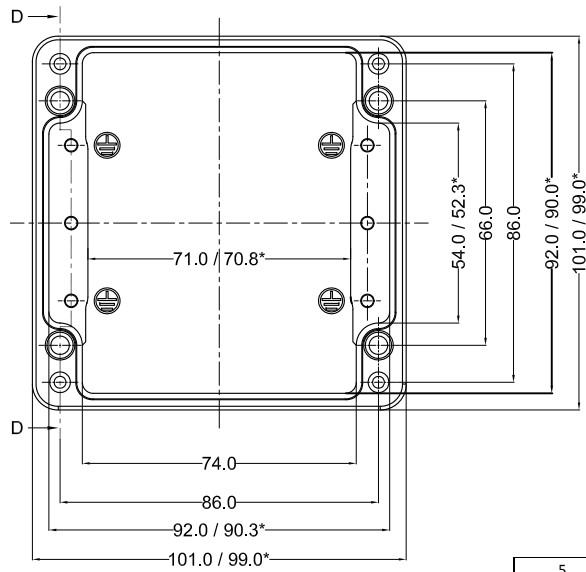
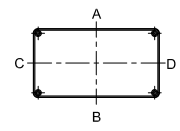
GENERAL SPECIFICATION AND AREA CLASSIFICATION:

1. STANDARDS - IEC/EN 60079-0, IEC/EN 60079-7 & IEC/En 60079-31.
2. MATERIAL COMPOSITION - AISI 12
3. DEGREE OF PROTECTION IP66 AS PER IEC 60529 : 1989 +A1 : 2000
4. GASKET MANUFACTURER - WACKER CHEMIE AG, MODEL: CENUSIL R 150 AND - CONTINUOUS OPERATING TEMPERATURE AS - 70°C TO 200°C
5. MAGNESIUM, TITANIUM AND ZIRCONIUM CONTENTS ARE < 2%.
6. SERVICE TEMPERATURE RANGE : - 50 °C to +135 °C
7. ALL DIMENSIONS ARE IN mm. UNLESS STATED OTHERWISE.
8. SURFACE WILL PLAIN FINISH OR POWDER COATED.
9. THE JUNCTION BOX WILL BE MARKED WITH

II 2 G Ex e IIC Gb
 II 2 D Ex tb IIIC Db IP 66 IP
 0539
 DEMKO 13 ATEX 132771U
 IECEx UL 13.0042U

10. TRADE MARK

11. TIGHTENING TORQUE - (2-3) NM
 NOT TO BE REVISED WITHOUT NOTIFICATION TO THE ExCB/NOTIFIED BODY



Opening Detail (Size)	NO OF HOLES SIDE A/B	Min. Distance between the opening for Side A/B (mm)	NO OF HOLES SIDE C/D	Min. Distance between the opening for Side C/D (mm)	Opening Detail (Size) PG	NO OF HOLES SIDE A/B	Min. Distance between the opening for Side A/B (mm)	NO OF HOLES SIDE C/D	Min. Distance between the opening for Side C/D (mm)	Min. Distance of last opening from the enclosure end on side A/B (mm)	Min. Distance of last opening from the enclosure end on side C/D (mm)
M12	6	11	4	11	Pg.7	6	11	4	11	15	29
M16	6	11	4	11	Pg.9	6	11	4	11	15	29
M20	5	9	3	9	Pg.11	6	8	4	8	15	26
M25	2	15	1	-	Pg.13.5	5	9	3	9	17	29
M32	1	-	1	-	Pg.16	3	11	2	10	18	30
M40	-	-	-	-	Pg.21	2	11	1	-	16	29
M50	-	-	-	-	Pg.29	1	-	1	-	18	29
M63	-	-	-	-	Pg.36	-	-	-	-	-	-
-	-	-	-	-	Pg.42	-	-	-	-	-	-
-	-	-	-	-	Pg.48	-	-	-	-	-	-
-	-	-	-	-	-	-	-	-	-	-	-

SR.NO.	PART NAME	DRAWING NO.	MATERIAL	QTY
5	SILICON GASKATE	-	SILICON	1
4	LID (CLAMPING) SCREW	-	AISI 304 / AISI 316	4
3	EARTHING SCREW	-	MS/304/316/COPPER	4
2	BASE JUNCTION BOX 100 X100 X81	Ex-R-1010081-B	AISI 12	1
1	LID JUNCTION BOX 100 X100 X81	Ex-R-1010081-L	AISI 12	1

NO.	REV.NO.	DESCRIPTION	DATE	DRAWN	CHECKED
-	-	-	-	-	-
QUANTITY	MATERIAL :-	MACH.NAME	DATE	SIGN	NAME
-	AISI 12	-	17/08/14		RRPL DESIGN
	DIN 230		17/08/14		MANOJ DRAWN
TOLERANCE	WEIGHT:	FINISH:	TITLE :-		
±0.2	-	NATURAL	JUNCTION BOX		
±0.2	HOLES		100 x 100 x 81	17/08/14	G. K. CHECKED
±1.0°	ANGLES		Raychem RPG (P) Limited	17/08/14	J. B. APPROVED
			Scale PARTNO. :		
			DRG. NO.		

PROPERTY OF RaychemRPG (P) LTD.
 ALL RIGHTS RESERVED AND/OR PHOTOCOPYING THIS DOCUMENT
 TO A PERSON WITHOUT RaychemRPG (P) LTD. WRITTEN AUTHORIZATION IS PROHIBITED

Raychem RPG (P) Limited
 Ceat Mahal Avenue,
 Dr. Amal Bessant Road,
 Worli, Mumbai 400030
 Web: www.raychemrpg.com
 SCALE PARTNO. :
 DRG. NO.
 Ex-AJB-10010081