



ENGLISH

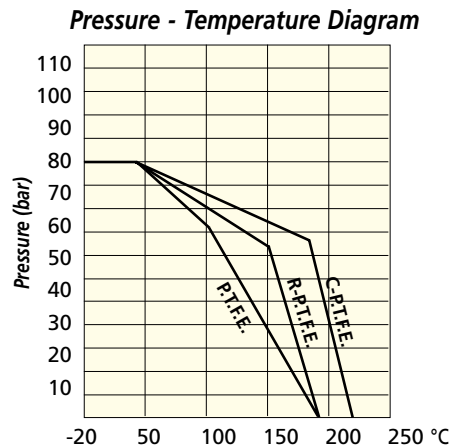
Stainless Steel 2-Piece Ball Valve with Pneumatic Actuator – Double Acting

1,000 PSI Rated

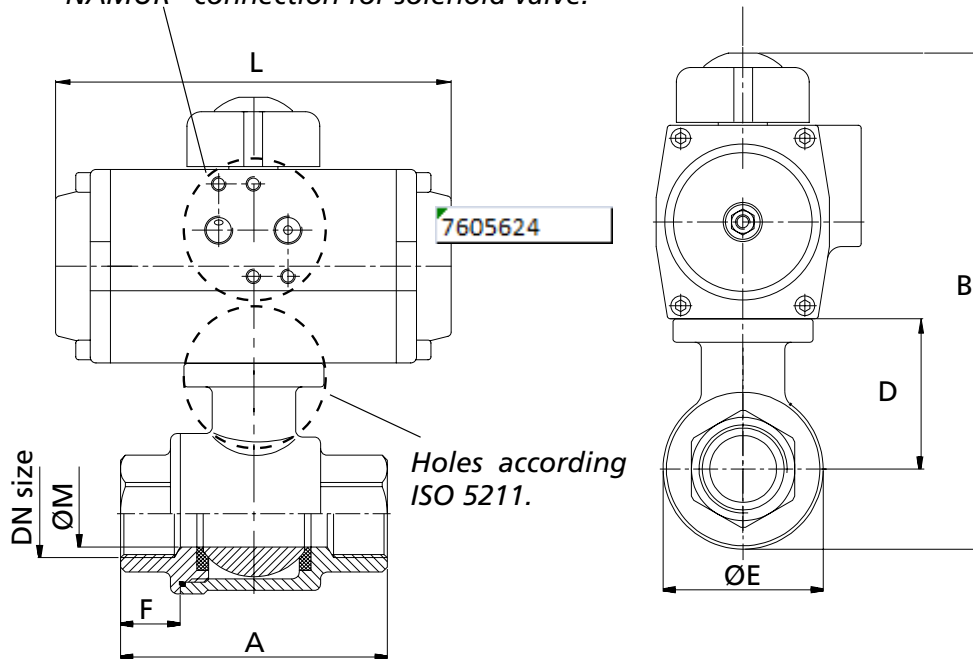


Materials

- Body = CF8M - 316 S/S
- Ball = 316 S/S
- Stem Seal = PTFE
- Ball Seal = PTFE



"NAMUR" connection for solenoid valve.



Overall Dimensions - Double Acting

RS Part No.	Dia mm	Size ins.	Model	A	B	D	ØE	F	L	ØM
7605624	8	1/4"	AP0 - DA	65	122.5	36	32.4	9.6	110	11
-----	10	3/8"	AP0 - DA	65	122.5	36	32.4	9.6	110	12.7
7605621	15	1/2"	AP0 - DA	65	122.5	38	34.6	12	110	15
7605630	20	3/4"	AP0 - DA	74.5	135.7	41.7	43.9	19	110	20
7605633	25	1"	AP1 - DA	88.5	161.6	44.4	50.3	19.5	137	25
7605637	32	1 1/4"	AP2 - DA	102	193.3	54	62.6	20.3	150	32
7605646	40	1 1/2"	AP2 - DA	110	204.6	59.5	74.1	24.5	150	40
7605649	50	2"	AP3 - DA	125	236.6	67	89.1	29	204	50