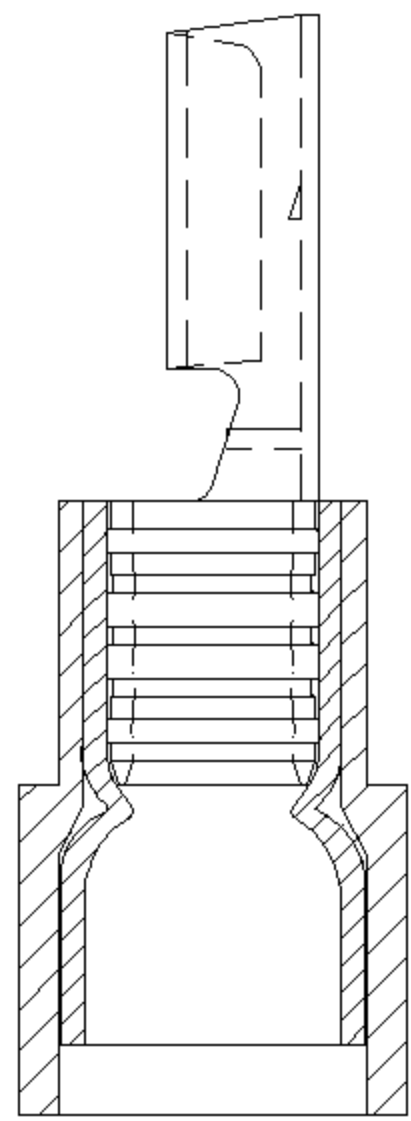
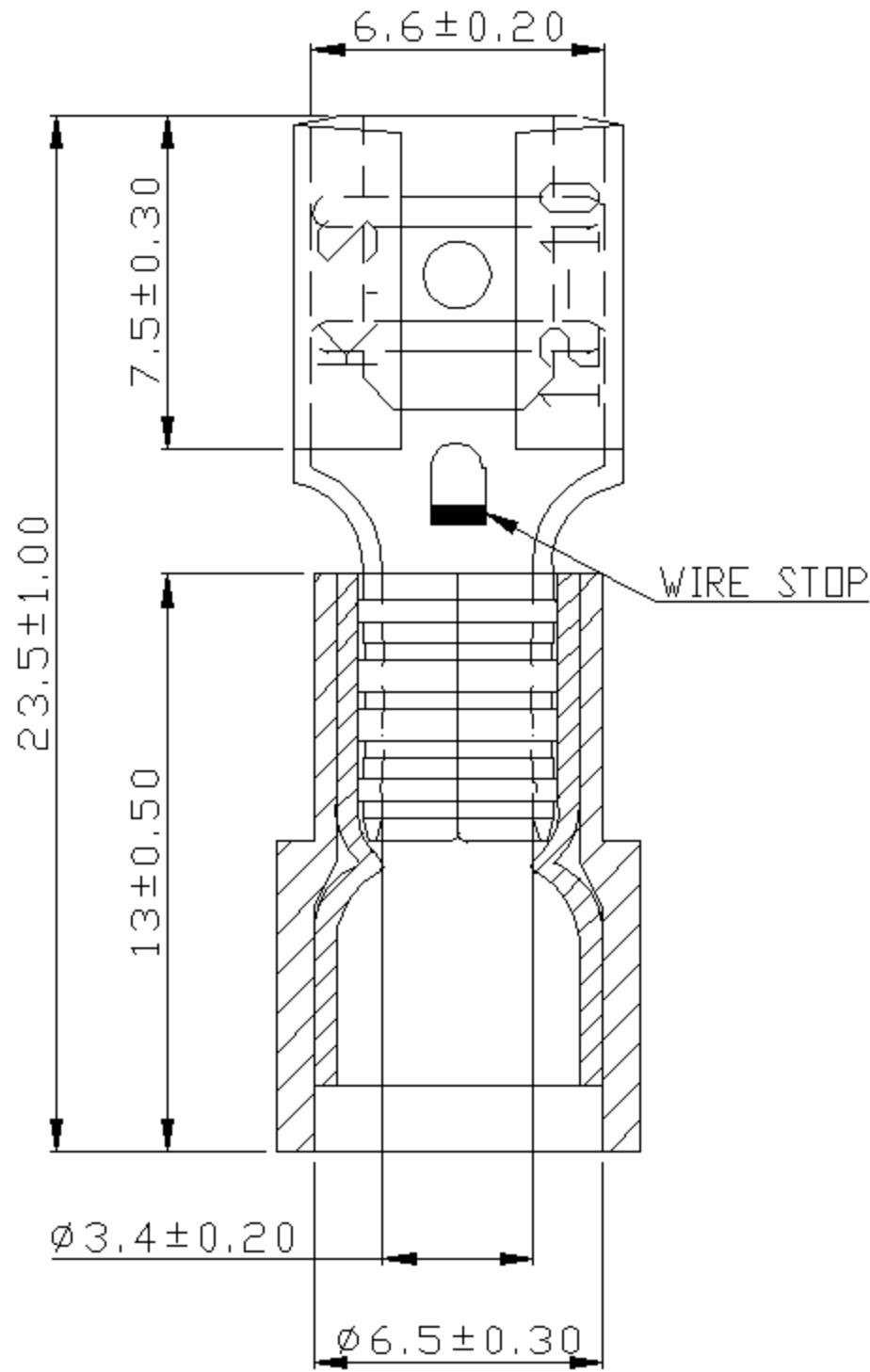
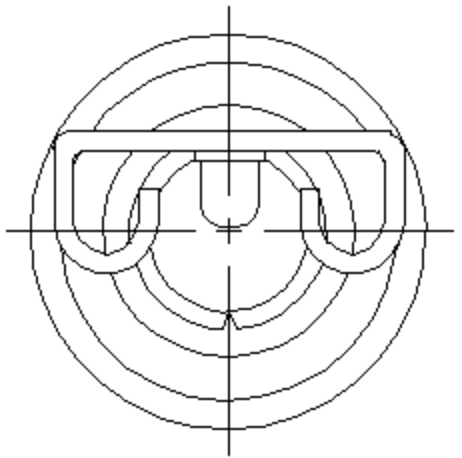


REV	DESCRIPTION	DATE
-----	-------------	------



- NOTE:
1. MAXIMUM ELECTRIC CURRENT :

A.W.G.	12	10	
AMP.	20	24	
 2. MAXIMUM ELECTRICAL RATING : 105°C 600 VOLTS MAX.
 3. INSULATION MATERIAL : NYLON
 4. INSULATION COLOR : YELLOW
 5. TERMINAL MATERIAL : BRASS
 6. WIRE RANGE : 12-10 A.W.G.(4-6 mm²)
 7. TERMINALS SURFACE TREATMENT : TIN PLATED
 8. DOUBLE CRIMP : WITH COPPER SLEEVE ON BARREL
 9. NEMA TAB : 0.032 * 0.250 (0.8 * 6.35)
 10. TERMINALS THICKNESS : 0.40 mm

Tolerance Unless Otherwise Specified	
0 > 6 mm ± 0.20	ANGLE
6 > 18 mm ± 0.30	0° REF ±
18 > 30 mm ± 0.40	±
30 > 75 mm ± 0.50	±

NAME	NYLON-INSULATED DOUBLE CRIMP FEMALE DISCONNECTORS				UNIT	mm	
PART NO.	FDNYD5-250	MATERIAL	-----	APPROVE			
NUMBER	KA-951116-C	SCALE	SHEET	PAGE	CHECKED		
DATE	2006/08/14	4/1	1-0	10F2	DRAWN	張馨尹	

