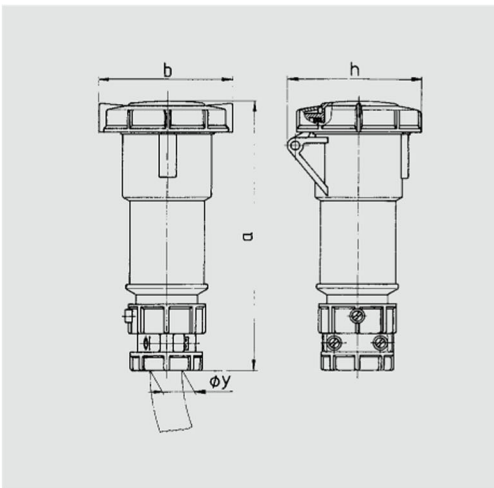
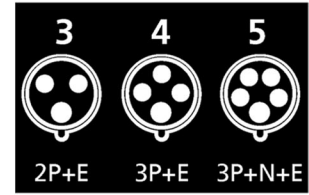


Connector Part no.3901



■ screw terminals

Protection type IP 67  
Ampere 32A  
Poles 4p  
Voltage 440V  
Hertz 60Hz  
Earth position 11h  
Contact Standard  
Connection technology Screw terminals



Drawing	Amp.	16			32		
		Poles			3	4	5
3 MB 48/3		3	4	5	3	4	5
Dim. in mm	a	171	182	194	217	217	229
	b	78	85	96	103	103	110
	h	79	88	95	99	99	105
	y	19	19	22	24,5	24,5	28,5
Terminal for cond. cr	oss	1	1	1	2,5	2,5	2,5
section (mm <sup>2</sup> ) min.-max.		—2,5	—2,5	—2,5	—6	—6	—6

