

## Wall or bench mount clamp, manually adjustable - 1693.2S



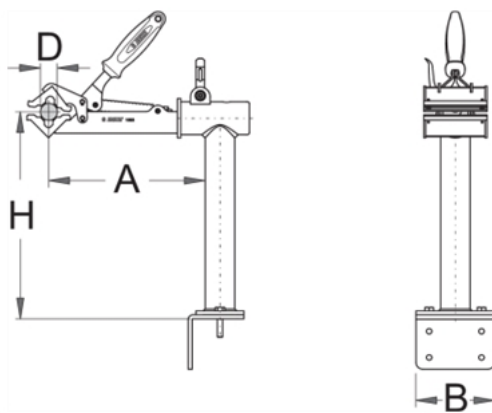
### Description

- Bench or wall mount option.
- Intended for professional and home workshops.
- Suitable for tubes with diameter of min. Ø24 mm and max. Ø40 mm.
- Easy accessible screw enables us, to modify the jaw opening and pressure when closed. The screw can be turned with hand, without use of any wrench.

### Technical Data

Barcode	D <sub>±</sub>	D <sub>f</sub>	B	A	H	Weight	Material	Accessories	Notes
62322 5	24	38	120	239	313	4550	K	1	-

### Packaging data



#### Retail tool packaging

#### Transport package

Barcode	Retail tool packaging			Weight	Hand	Transport package			Weight
	Retail packing in mm (length)	Retail packing in mm (width)	Retail packing in mm (height)			Transport packing in mm (length)	Transport packing in mm (width)	Transport packing in mm (height)	
62322 5	210	420	145	4020	1	210	420	145	4020