

# Datasheet

## RS 1 → 30 V ac 85dB Through Hole Continuous External Piezo Buzzer, 3500 → 4500 Hz

RS Stock 617-3047



### Specifications

#### ABT-430-RC

Rated voltage (Vp-p square wave)	9Vp-p
Operating voltage	1~30Vp-p
Rated current at rated voltage	≤3mA
Capacitance at 1KHz	17000±30%pF
Sound output at 4000Hz at 10cm at rated voltage	≥85dB
Resonant frequency	4000±500Hz
Operating temperature	-20~+60°C
Storage temperature	-30~+70°C
Weight	3g

Requires additional electronic circuitry to operate as a sounder

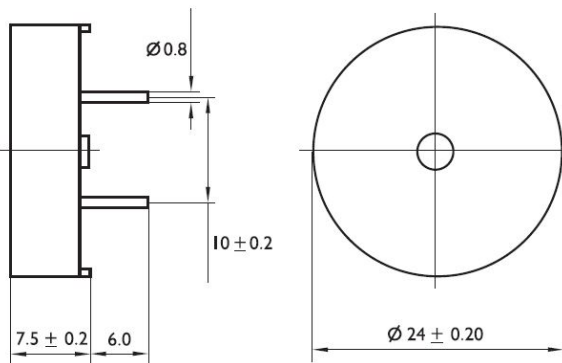
**Note: manual welding temperature 380 ±20 °C**

- 1) All parts must be meet to ROHS.
- 2) Wave solder and wash not allowed.

### Features

- ROHS compliant
- Black in colour
- Housing material: ABS
- Low current and profile

All data at 25°C unless otherwise specified



Dimensions Unit: mm Tolerance: ±0.5mm

1. Housing: Black ABS
2. Piezo element: Brass
3. Lead pin: Red Copper(DSn) (Coating4-8µm)
4. PCB: Epoxy board