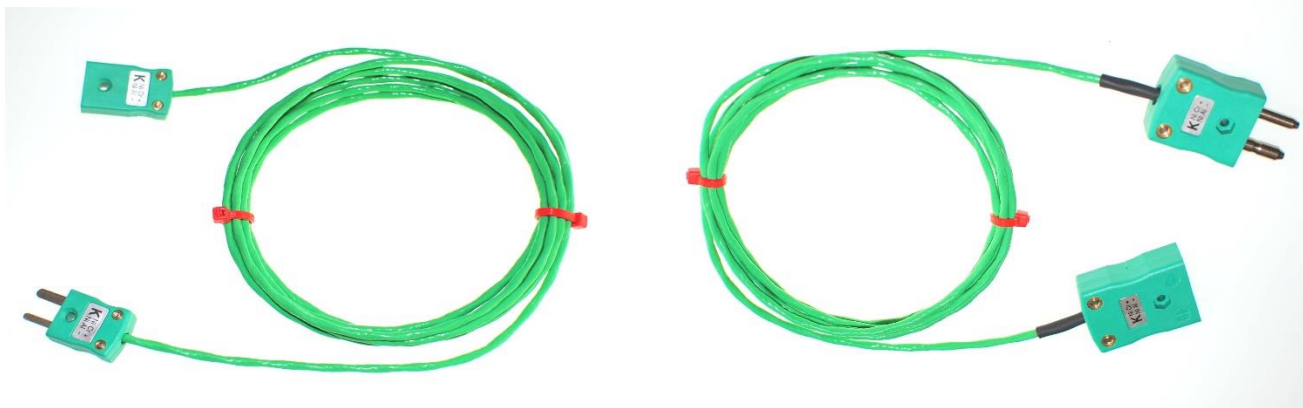


Datasheet

IEC Thermocouple Extension Leads, PFA/SSOB/PFA, Fitted with Miniature or Standard Thermocouple Plugs & Sockets



Fitted with miniature connectors

Fitted with standard connectors

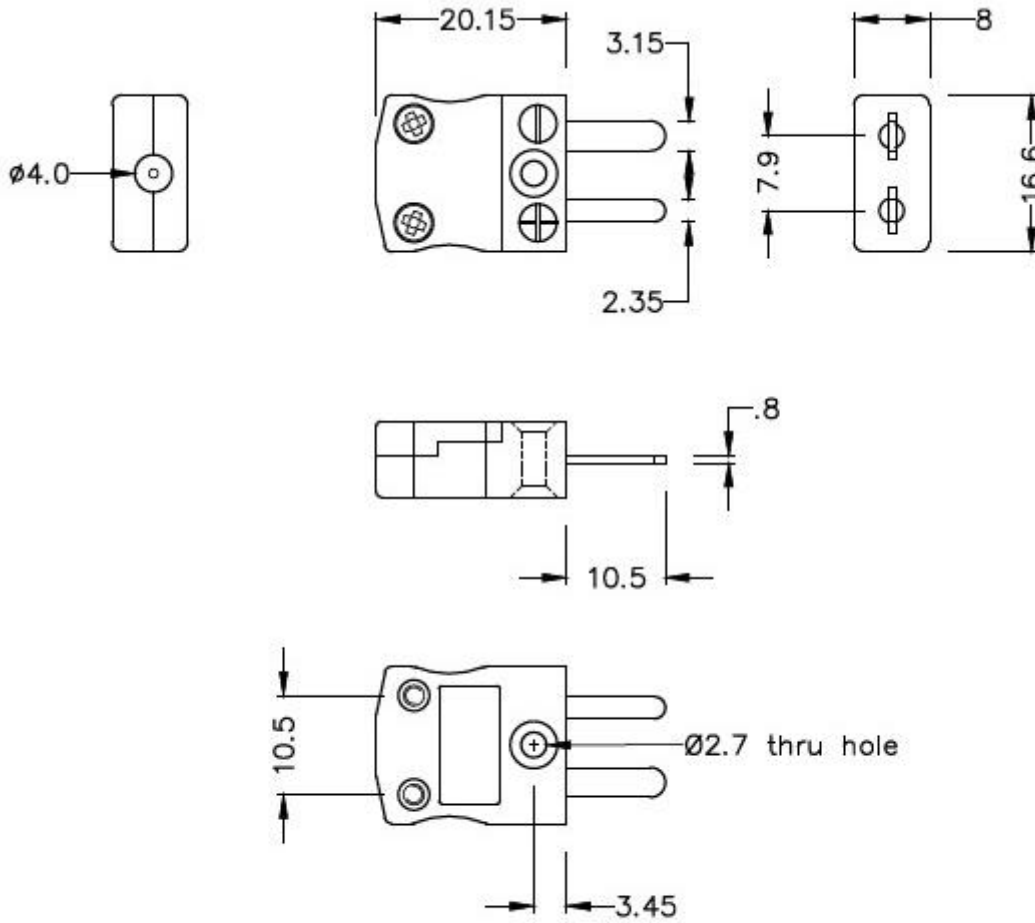
Cable Description

- PFA insulated & screened
- Twisted cores & screened construction for reduced electrical noise
- Conductors PFA insulated and twisted together, stainless steel braided screen, overall PFA sheath
- Good mechanical strength and flexibility, resistant to oils, acids and other adverse fluids
- Thermocouple extension types for K
- Stranded 7/0.2mm conductors
- Available in 2 & 5 metre lengths
- Insulation rating -75°C to 260°C
- Colour code (cores & jacket) to IEC-584-

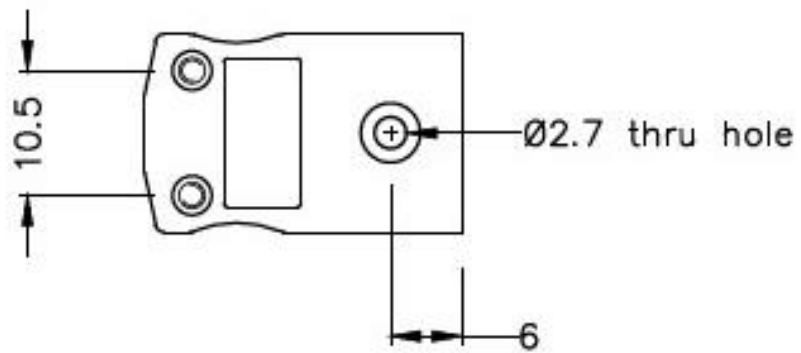
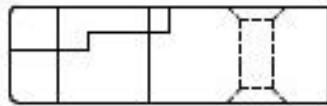
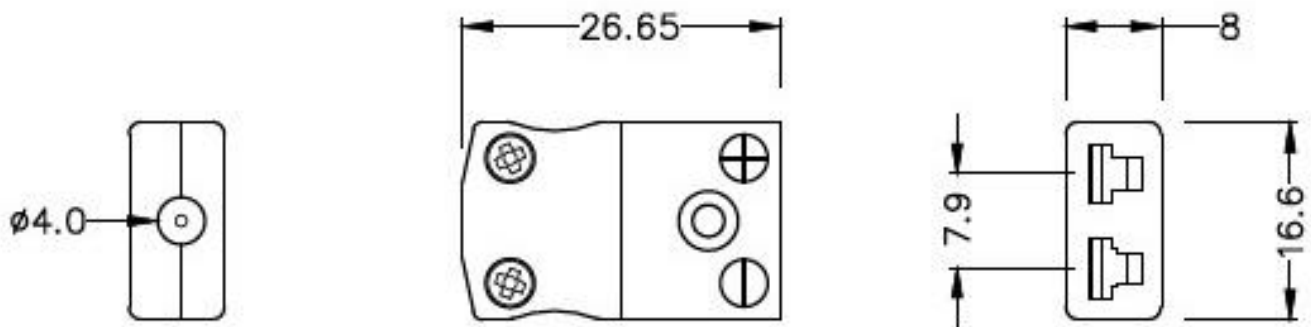
Connector Description

- Ideal for general purpose use
- All contacts are polarised to ensure correct connection
- Colour coded in accordance with IEC specification
- Maximum continuous operating temperature 220°C

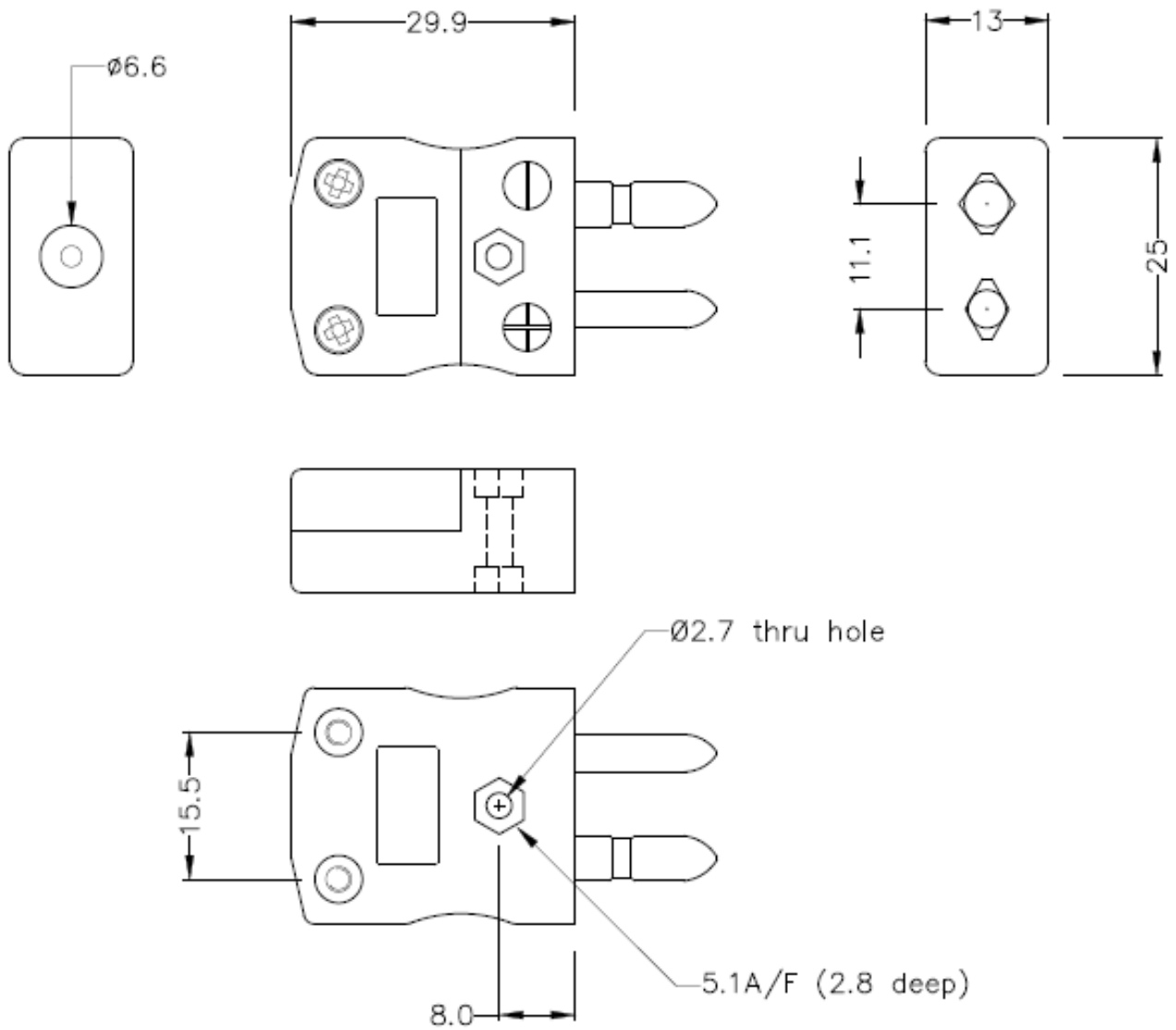
Type	Length	Connector Size	Description	Allied Code	RS Order Number
K	2 metre	Miniature	EXT-K-C85-2.0-MP-MS	70652782	779-9697
K	5 metre	Miniature	EXT-K-C85-5.0-MP-MS	70652785	779-9707
K	2 metre	Standard	EXT-K-C85-2.0-SP-SS	70652783	779-9700
K	5 metre	Standard	EXT-K-C85-5.0-SP-SS	70652784	779-9704



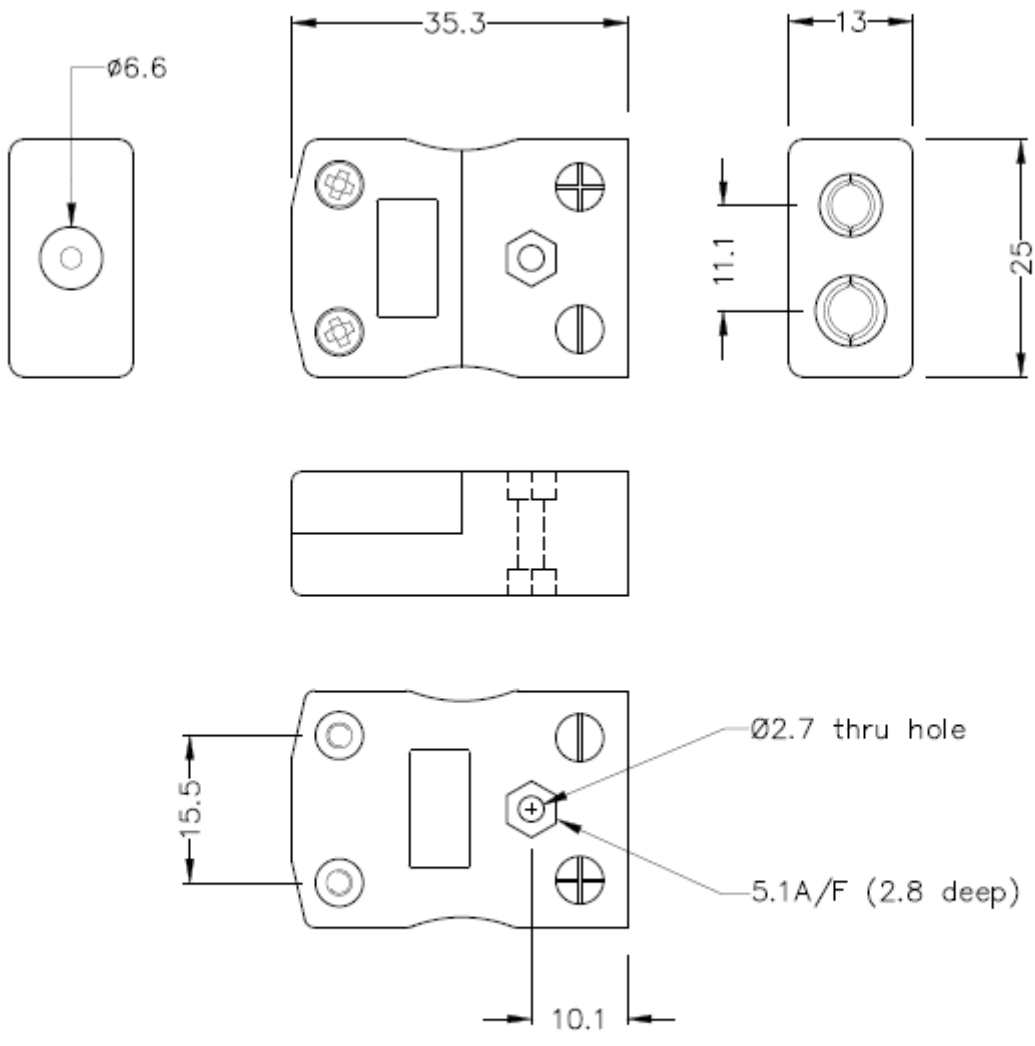
Miniature in-line Plug
(dimensions in mm)



Miniature in-line Socket
(dimensions in mm)



Standard in-line Plug
(dimensions in mm)



Standard in-line Socket
(dimensions in mm)