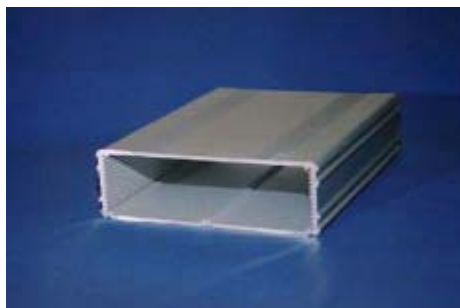


Extruded Heat Sink Cases

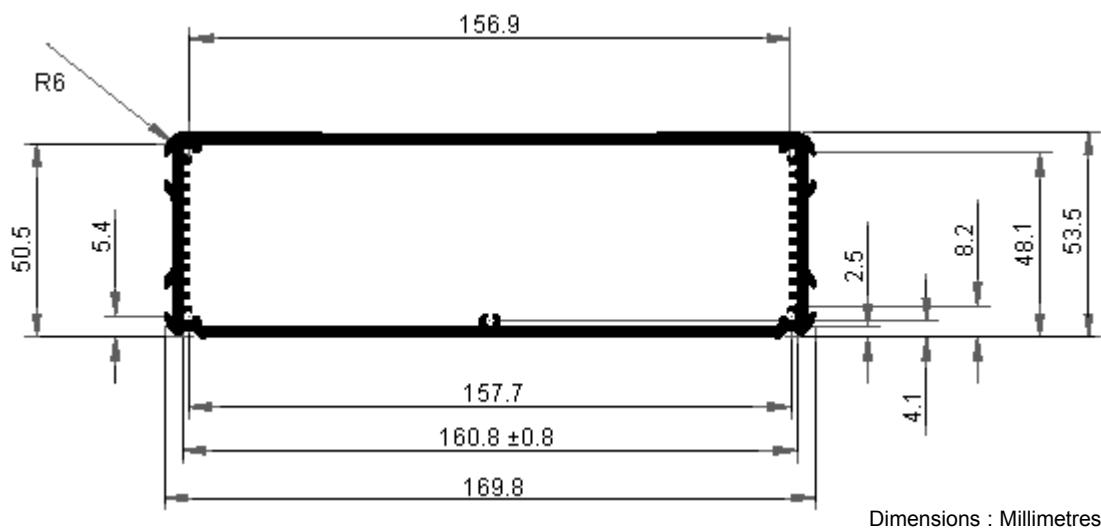


Aluminium



Features :

- Silver anodized aluminium extruded box section to take 160 × 80 mm, 160 × 160 mm or 160 × 220 mm circuit boards
- The maximum height of components on a board mounted in the bottom slot is 40 mm
- This box features dovetail slots down the side that accept a Linc-Lug mounting bracket to facilitate surface mounting
- One side of the box features two sets of appearance enhancing groves
- Between the sets of groves is a shallow (0.5 mm deep) recess which could be used for a label



Specifications :

- Length Tolerance : Nominal length -0 mm / +1 mm
- Non-standard Lengths : Available
- Material : Aluminium 6063 T6 (HE9)
- Finish : Silver anodized 5 µm thickness - can be painted directly if required. The inside and cut ends are not anodized
- Weight : 3.4 Kg / m
- Perimeter : 480 mm (outside), 516 mm (inside)
- Screw Ports : Nominal diameter 2.7 mm to take a No.4 thread-forming screw with a 3 mm major diameter of a type normally used for plastic. They are not suitable for ordinary self-tapping screws that have a 2.9 mm diameter with a wide tolerance. The screw ports can be threaded M3 using a thread-rolling tap, but a thread cutting tap will make a weak thread. Alternatively an M3 thread-forming screw can be used to roll its own thread

Part Number Table

Description	Part Number
Case, Aluminium, 80 × 156.9 × 53.5 mm	MCREDS80
Case, Aluminium, 160 × 156.9 × 53.5 mm	MCREDS160
Case, Aluminium, 220 × 156.9 × 53.5 mm	MCREDS220

Important Notice : This data sheet and its contents (the "Information") belong to the members of the Premier Farnell group of companies (the "Group") or are licensed to it. No licence is granted for the use of it other than for information purposes in connection with the products to which it relates. No licence of any intellectual property rights is granted. The Information is subject to change without notice and replaces all data sheets previously supplied. The Information supplied is believed to be accurate but the Group assumes no responsibility for its accuracy or completeness, any error in or omission from it or for any use made of it. Users of this data sheet should check for themselves the Information and the suitability of the products for their purpose and not make any assumptions based on information included or omitted. Liability for loss or damage resulting from any reliance on the Information or use of it (including liability resulting from negligence or where the Group was aware of the possibility of such loss or damage arising) is excluded. This will not operate to limit or restrict the Group's liability for death or personal injury resulting from its negligence. Multicomp is the registered trademark of the Group. © Premier Farnell plc 2012.