



ENGLISH

Datasheet

RS Article:1854701

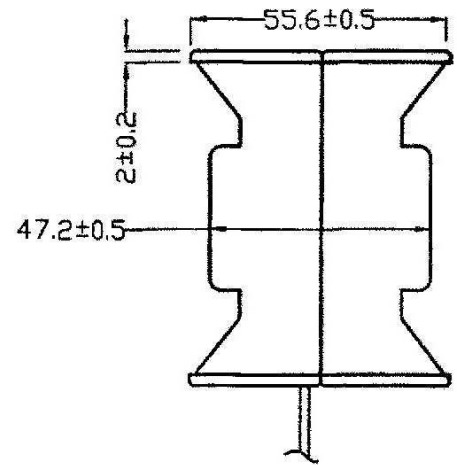
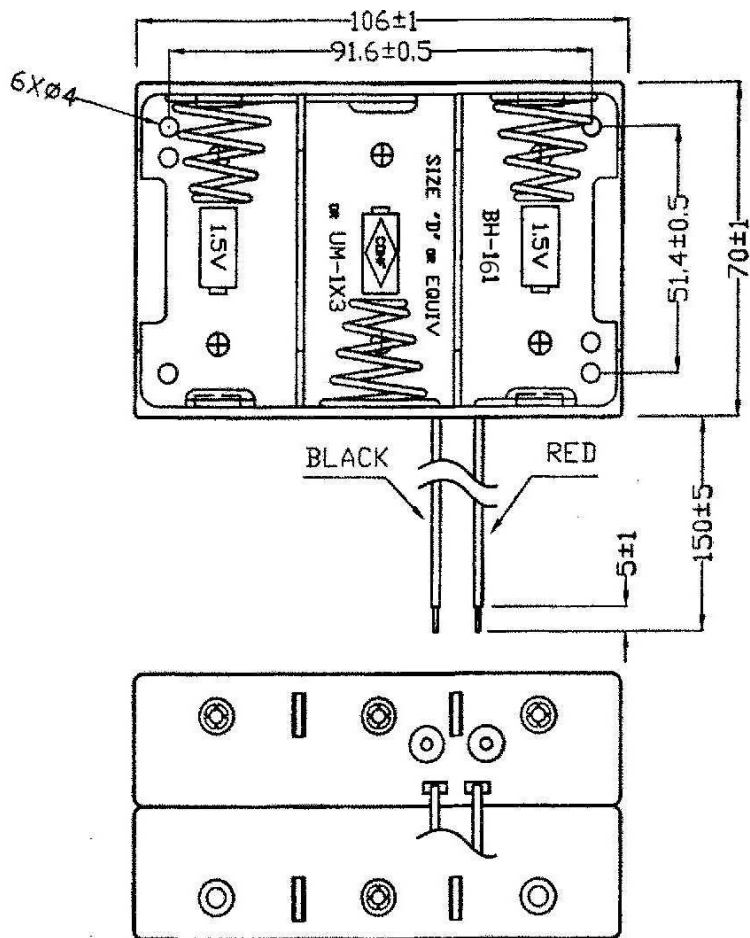
RS Pro Battery Holder



1. Preface:

The purpose of this product specification is to Dimension and drawing

D x 6 with lead wire 150mm



SPECIFICATION

- (1) ITEM NO: 1854701
- (2) WIRE: UL1007 AWG#24
BLACK & RED: $150\text{MM} \pm 5\text{MM}$
STRIP & TIN: $5\text{MM} \pm 1\text{MM}$
- (3) MATERIAL: P.P RESIN BLACK COL
- (4) SPRING: 0.9MM 65C SPRING WIRE

Measure: mm